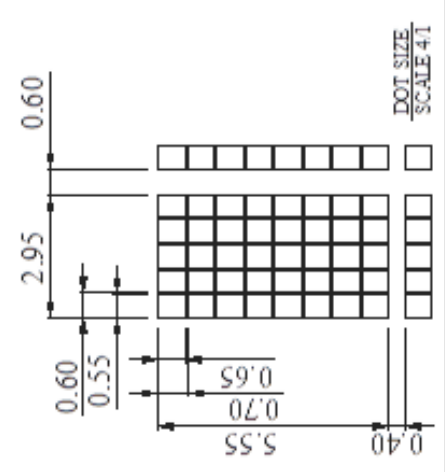
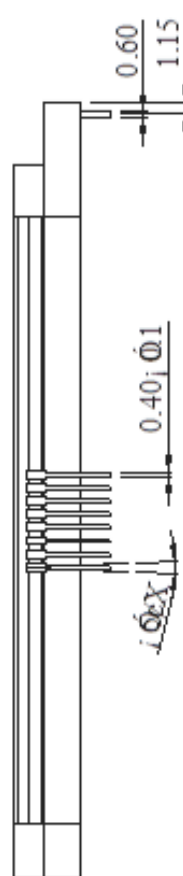
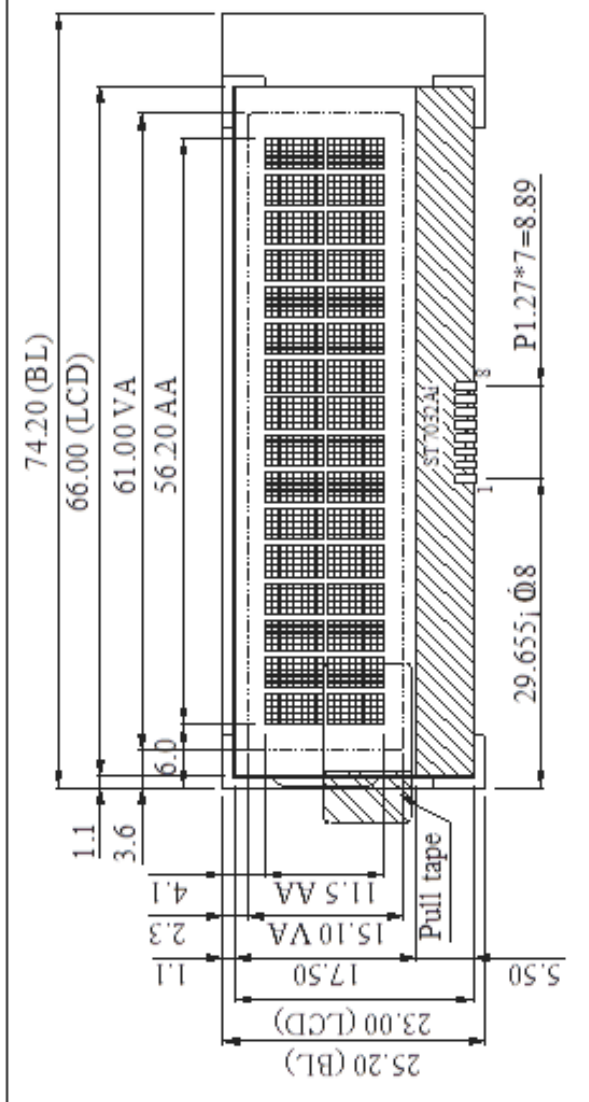
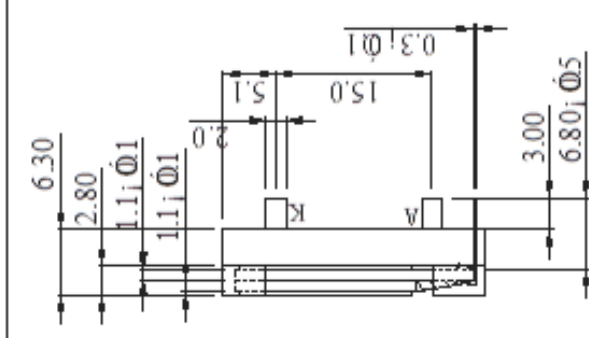


Outline Drawing

PIN No	SYMBOL
1	VG
2	XV0
3	V0
4	VDD
5	VSS
6	SDA
7	SCL
8	RST



The non-specified tolerance of dimension is $\pm 0.3\text{mm}$.