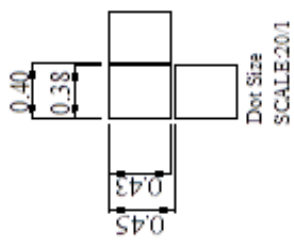
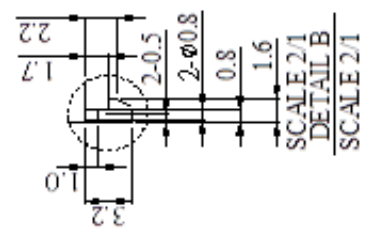
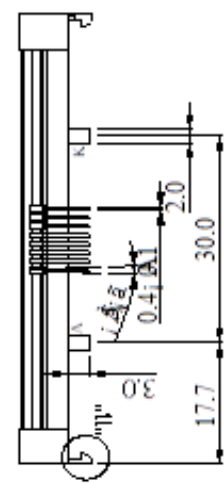
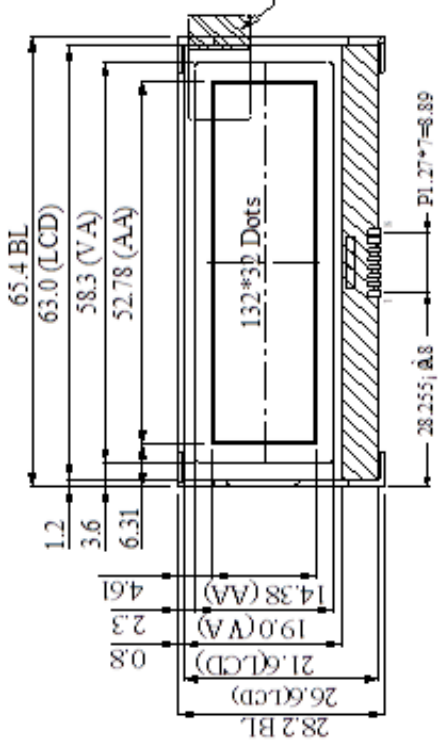
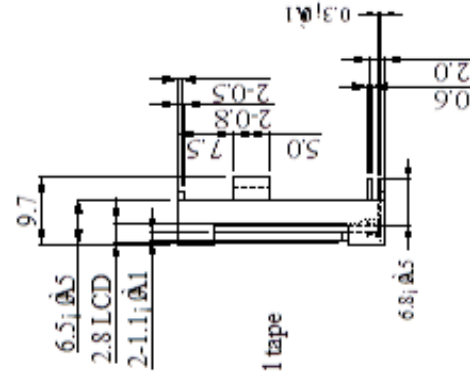


Outline Drawing

1	VG
2	XV0
3	V0
4	VSS
5	VDD
6	SDA
7	SCL
8	RSTB



The non-specified tolerance of dimension is ± 0.3 mm .