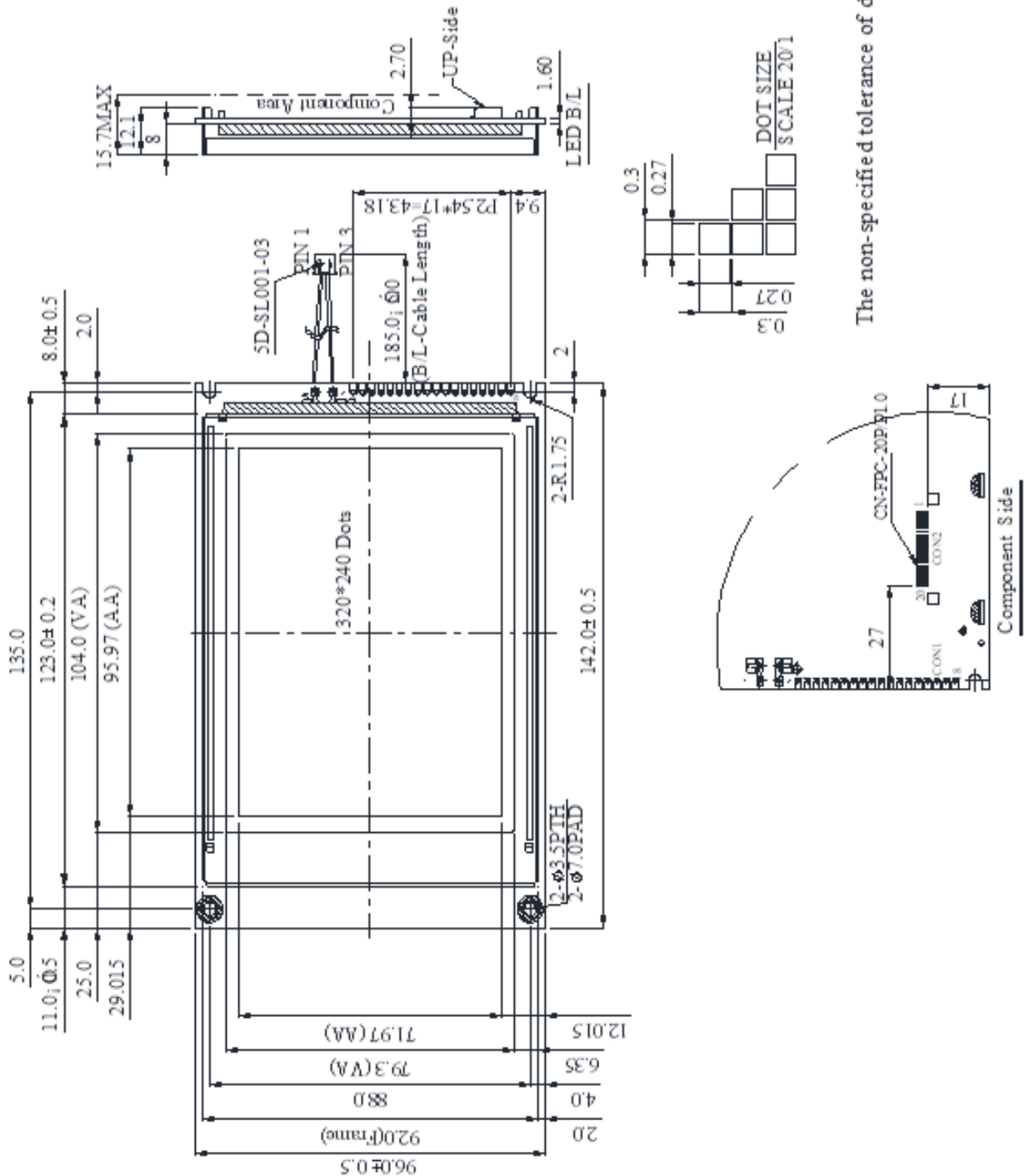


Outline Drawing

PIN NO.	SYMBOL	PIN NO.	SYMBOL
1	V _{ss}	1	V _{ss}
2	V _{dd}	2	V _{dd}
3	V _o	3	V _o
4	A0	4	A0
5	WR	5	WR
6	RD	6	RD
7	DB0	7	DB0
8	DB1	8	DB1
9	DB2	9	DB2
10	DB3	10	DB3
11	DB4	11	DB4
12	DB5	12	DB5
13	DB6	13	DB6
14	DB7	14	DB7
15	CS	15	CS
16	RES	16	RES
17	V _{ee}	17	V _{ee}
18	DISP/NC	18	DISPOFF
		19	A
		20	K



The non-specified tolerance of dimension is ±0.3mm.