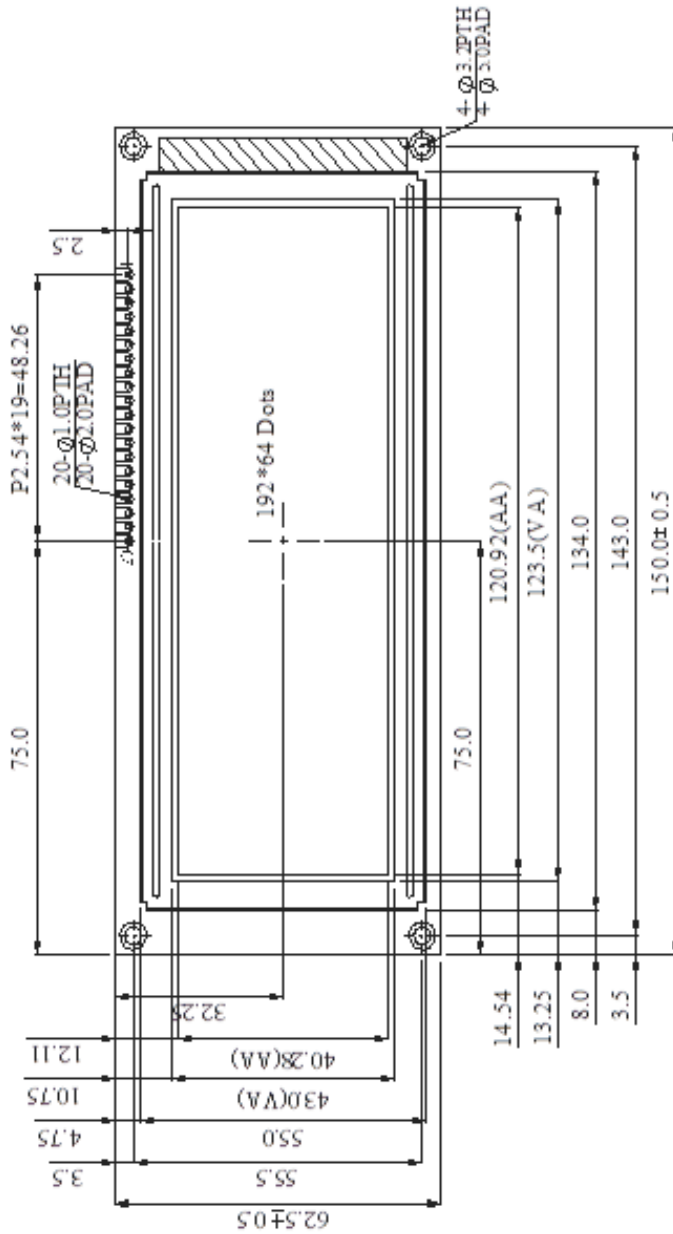
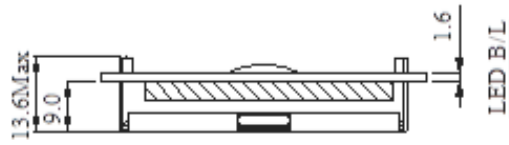


Outline Drawing

PIN NO	SYMBOL
1	V _{SS}
2	V _{DD}
3	V _O
4	RS
5	R/W
6	E
7	DB0
8	DB1
9	DB2
10	DB3
11	DB4
12	DB5
13	DB6
14	DB7
15	/CS1
16	/RST
17	/CS2
18	/CS3
19	VEE
20	A



The non-specified tolerance of dimension is ±0.3mm.

