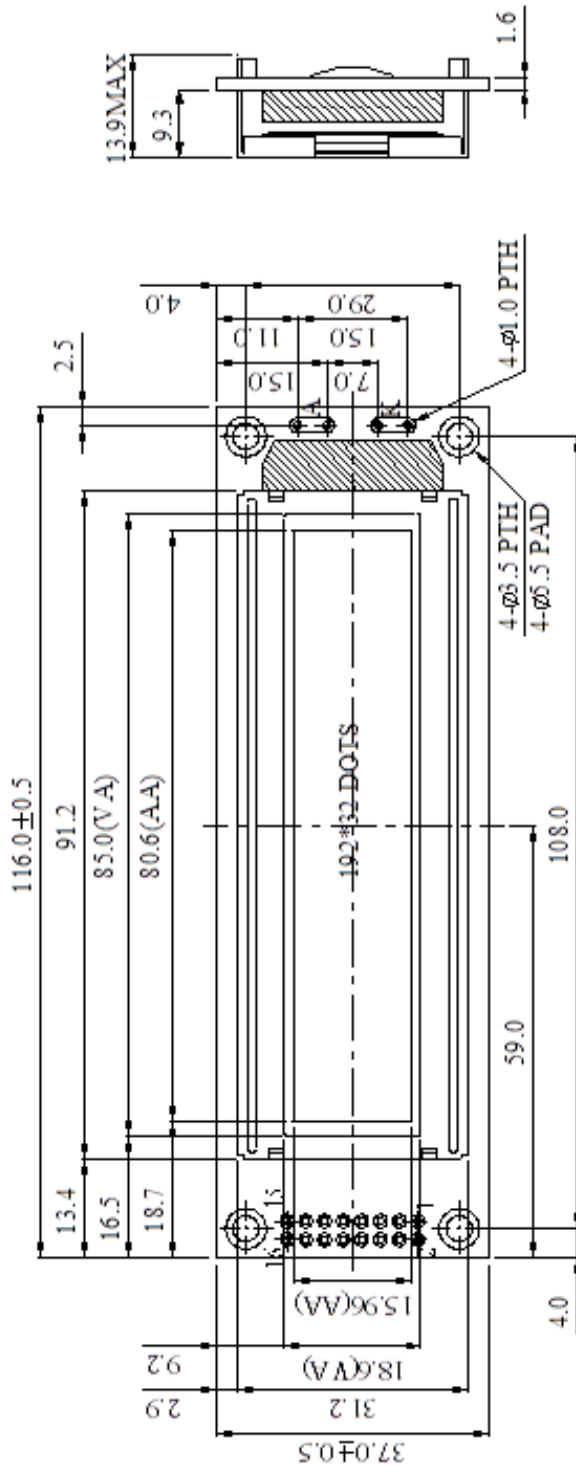
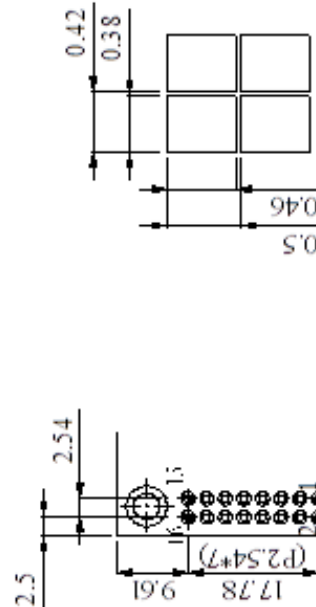


Outline Drawing

| PIN NO. | SYMBOL           |
|---------|------------------|
| 1       | V <sub>SS</sub>  |
| 2       | V <sub>DD</sub>  |
| 3       | V <sub>0</sub>   |
| 4       | RS               |
| 5       | R/W              |
| 6       | E                |
| 7       | DB0              |
| 8       | DB1              |
| 9       | DB2              |
| 10      | DB3              |
| 11      | DB4              |
| 12      | DB5              |
| 13      | DB6              |
| 14      | DB7              |
| 15      | V <sub>out</sub> |
| 16      | NC               |



LED B/L



DOT SIZE  
 SCALE 20/1

PIN DETAIL

The non-specified tolerance of dimension is ±0.3mm.