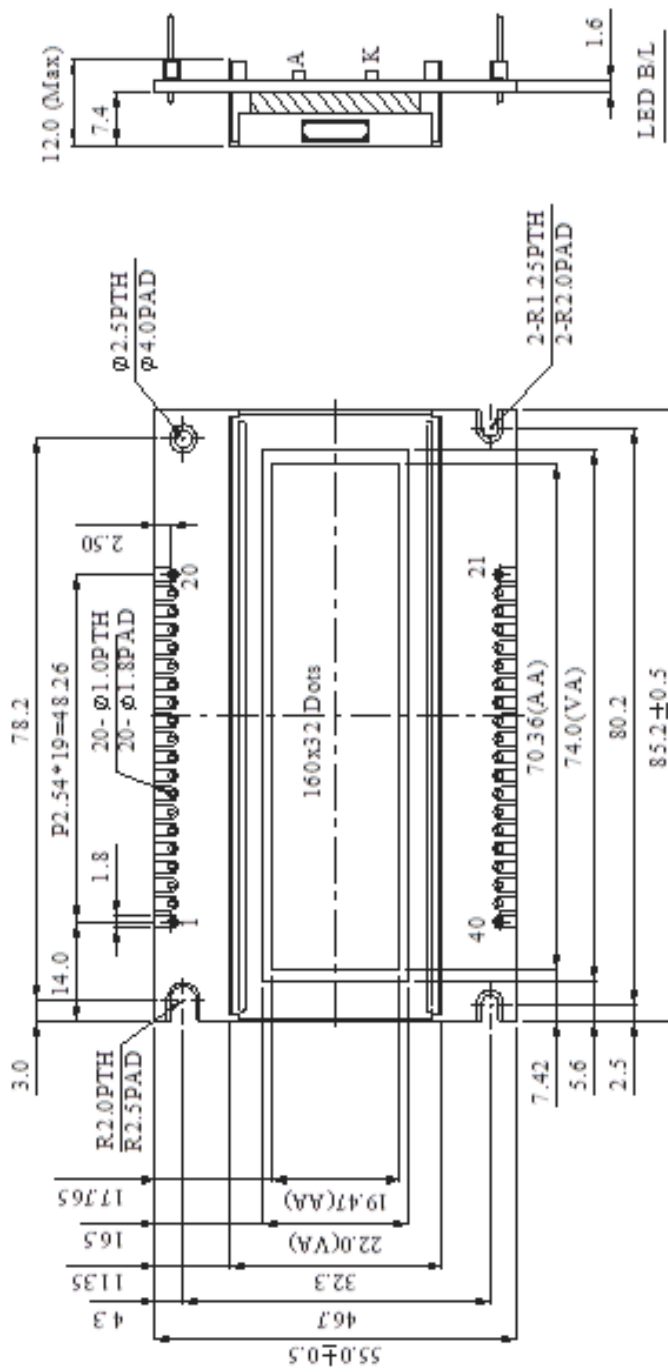
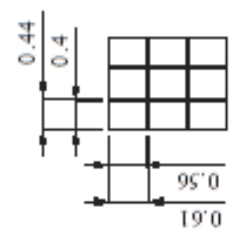


Outline Drawing

PIN NO.	SYMBOL
1	V _{ss}
2	V _{dd}
3	V _o
4	A0
5	CS1
6	CS2
7	CL
8	E
9	R/W
10	DB0
11	DB1
12	DB2
13	DB3
14	DB4
15	DB5
16	DB6
17	DB7
18	RST
19	A
20	K
21-40	NC



The non-specified tolerance of dimension is ±0.3mm.



DOT SIZE
SCALE 10/1

