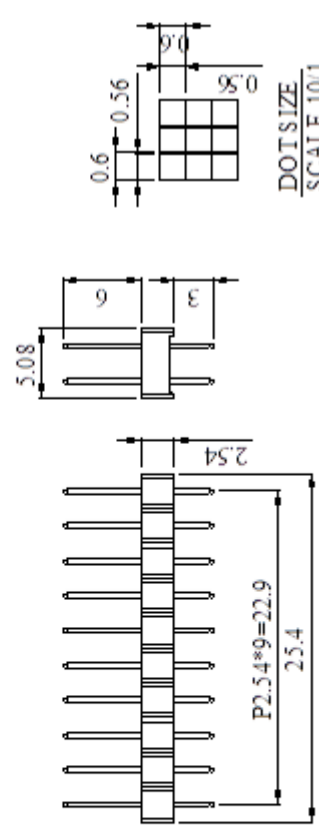
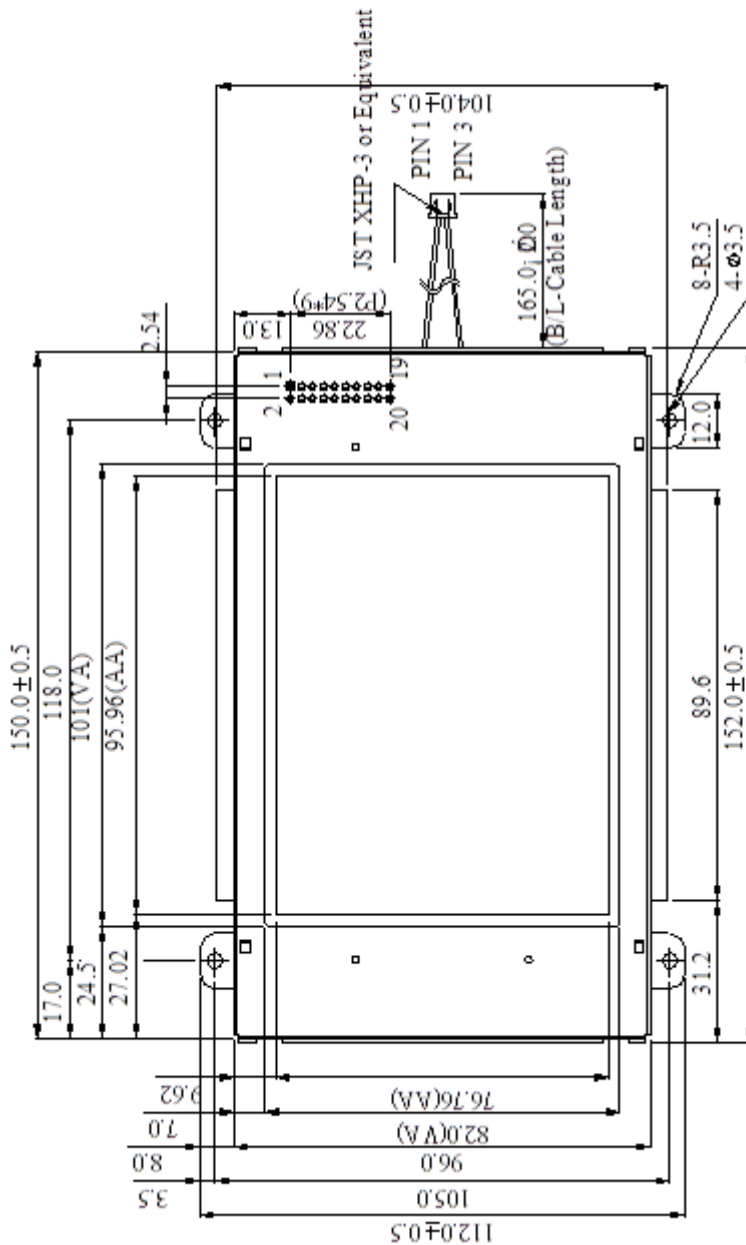
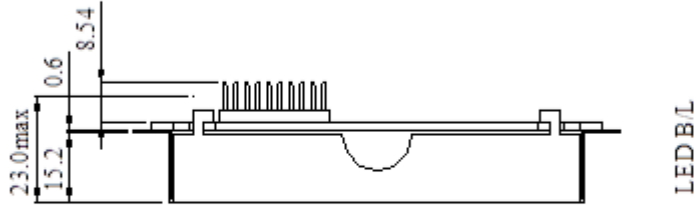


Outline Drawing

PIN NOS	SYMBOL
1	FG
2	V _{ss}
3	V _{dd}
4	V ₀
5	V _{ee}
6	WR
7	RD
8	CE
9	C/D
10	HALT
11	RESET
12	DB0
13	DB1
14	DB2
15	DB3
16	DB4
17	DB5
18	DB6
19	DB7
20	NC



The non-specified tolerance of dimension is ±0.3mm.

DOT SIZE
SCALE 10/1