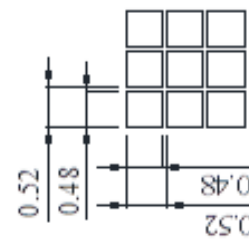
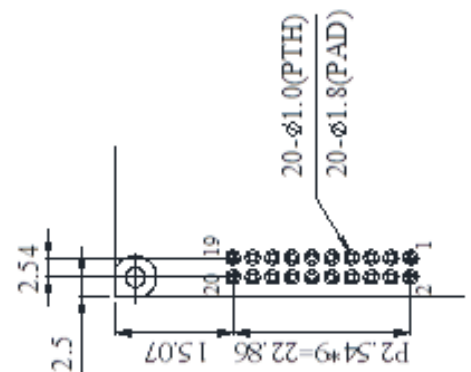
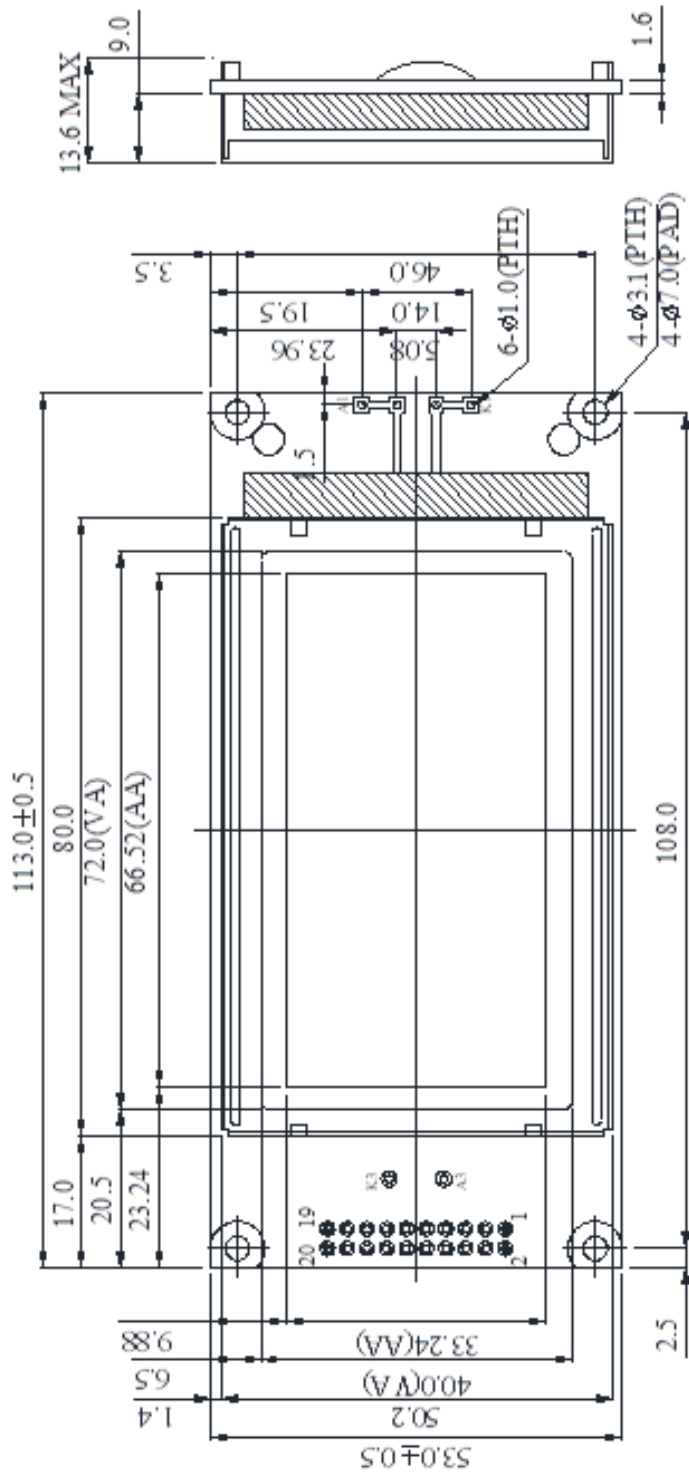


Outline Drawing

PIN NO.	SYMBOL
1	V <sub>SS</sub>
2	V <sub>DD</sub>
3	V <sub>O</sub>
4	D/I
5	R/W
6	E
7	DB0
8	DB1
9	DB2
10	DB3
11	DB4
12	DB5
13	DB6
14	DB7
15	CS1
16	CS2
17	RES
18	V <sub>out</sub>
19	A
20	K



DOT SIZE  
SCALE 10/1

LED B/L

The non-specified tolerance of dimension is ±0.3mm.