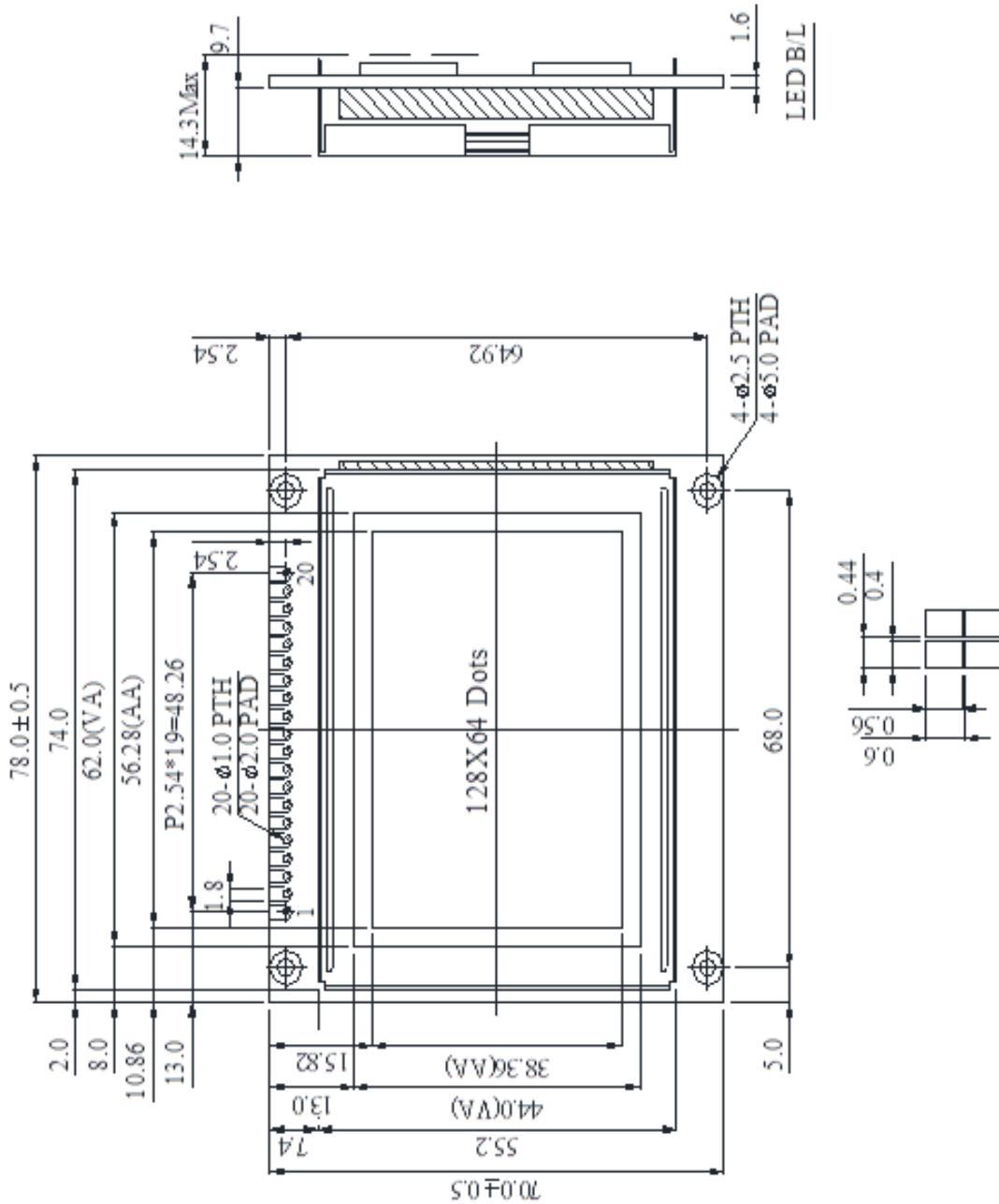


Outline Drawing

PIN NO.	SYMBOL
1	CS1
2	CS2
3	VSS
4	VDD
5	V0
6	D/I
7	R/W
8	E
9	DB0
10	DB1
11	DB2
12	DB3
13	DB4
14	DB5
15	DB6
16	DB7
17	RST
18	VEE
19	A
20	K



The non-specified tolerance of dimension is  $\pm 0.3$  mm .

DOT SIZE  
SCALE 10/1