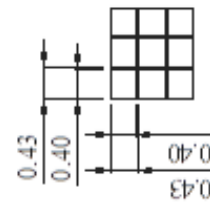
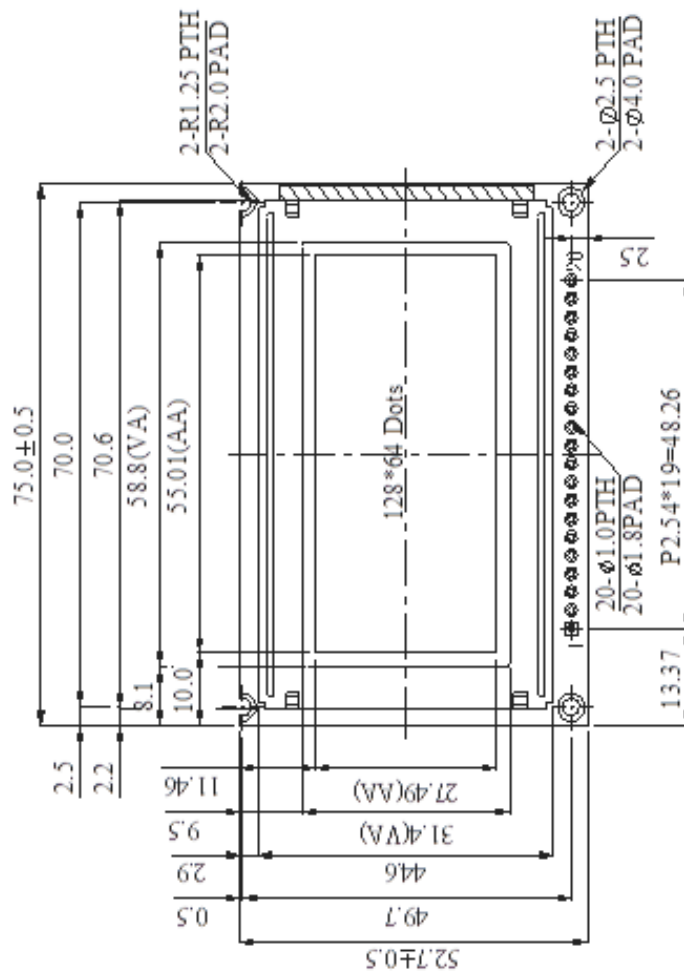
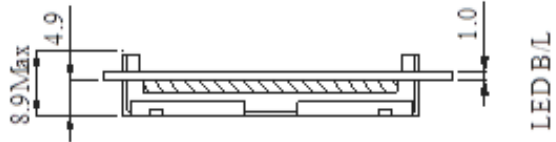


Outline Drawing

PIN NO.	SYMBOL.
1	V <sub>dd</sub>
2	V <sub>ss</sub>
3	V <sub>o</sub>
4	DB0
5	DB1
6	DB2
7	DB3
8	DB4
9	DB5
10	DB6
11	DB7
12	CS1
13	CS2
14	RST
15	R/W
16	D/T
17	E
18	V <sub>ee</sub>
19	A
20	K



The non-specified tolerance of dimension is ±0.3mm.