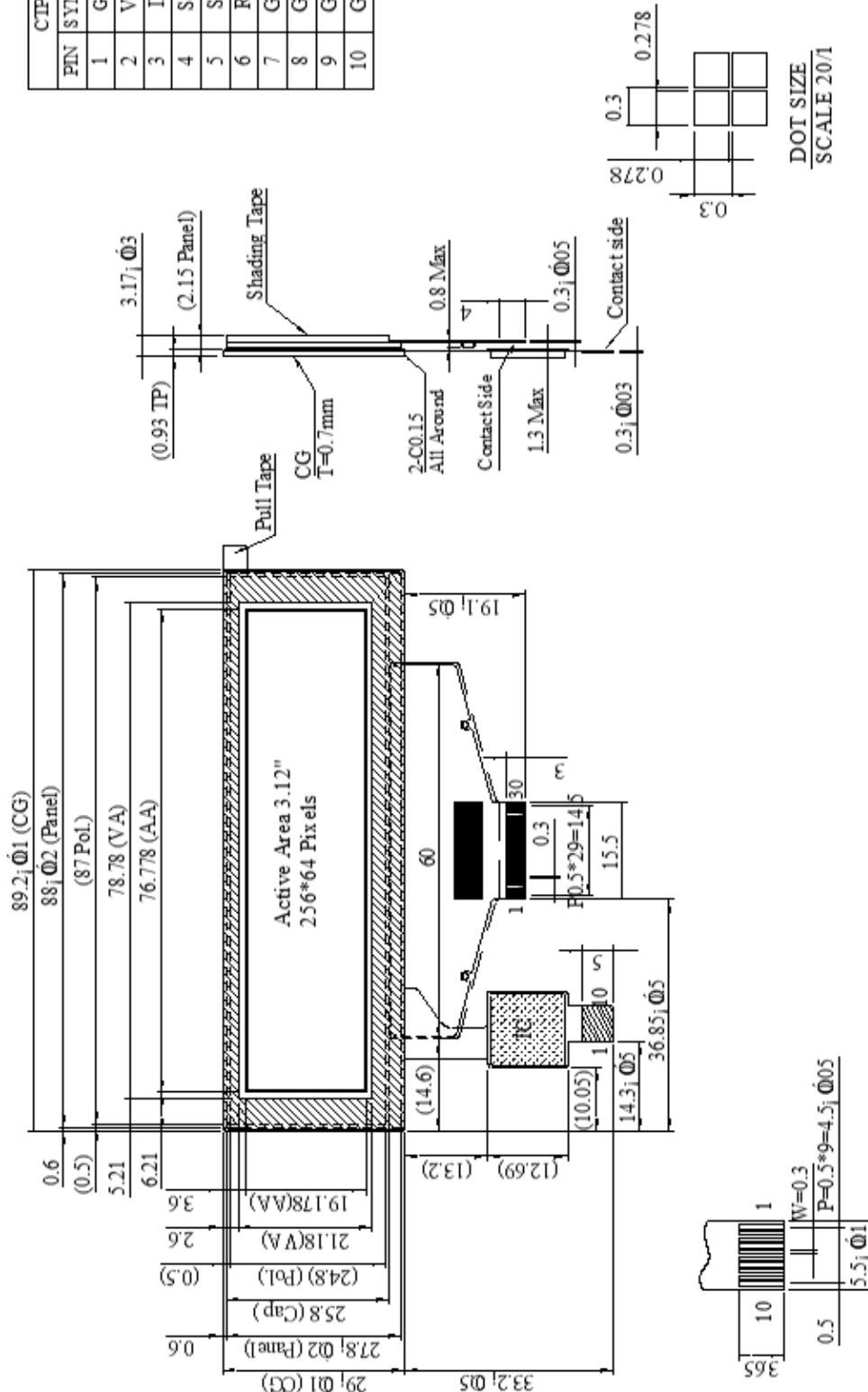


Outline Drawing

PTN	SYMBOL
1	NC(GND)
2	VSS
3	VCC
4	VCOM(H)
5	VLSS
6	D7
7	D6
8	D5
9	D4
10	D3
11	D2
12	D1
13	D0
14	E/RD#
15	R/W#
16	BS0
17	BS1
18	DC#
19	CS#
20	RES#
21	FR
22	IREF
23	NC
24	VDDIO
25	VDD
26	VCI
27	VSL
28	VLSS
29	VCC
30	NC(GND)

CTP	
PTN	SYMBOL
1	GND
2	VDD
3	INT
4	SDA
5	SCL
6	RST
7	GND
8	GND
9	GND
10	GND



The non-specified tolerance of dimension is j  $\pm$  0.3 mm .