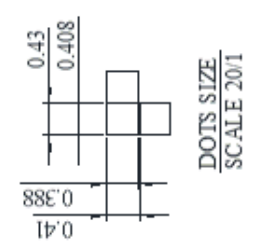
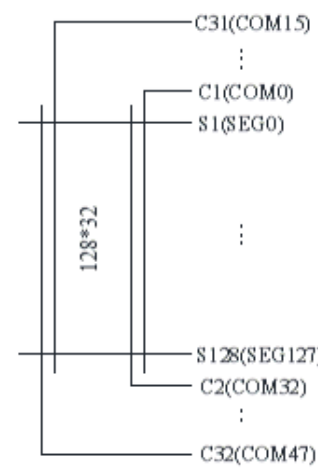
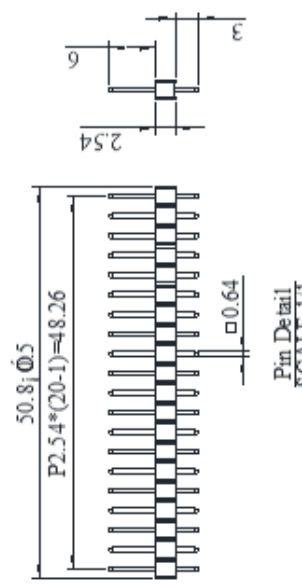
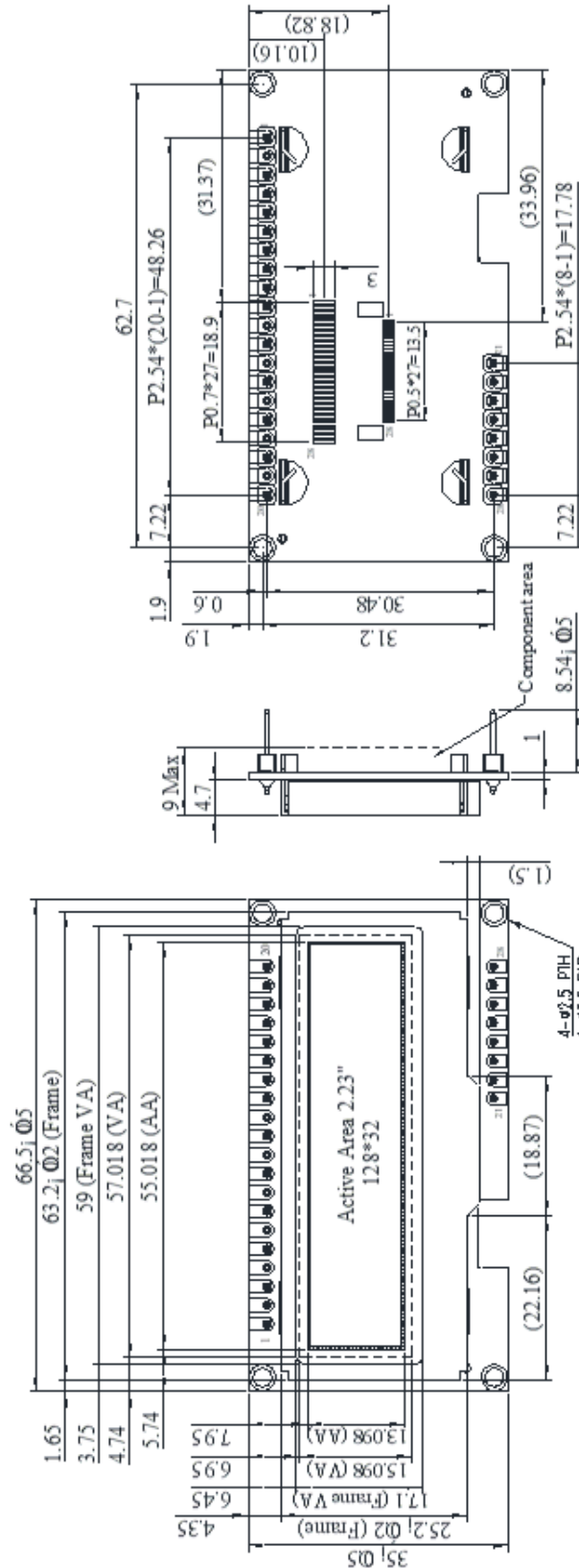


Outline Drawing

| PIN | SYMBOL |
|-----|--------|
| 1 | VSS |
| 2 | VDD |
| 3 | V0 |
| 4 | D/C# |
| 5 | R/W# |
| 6 | E/RD# |
| 7 | DB0 |
| 8 | DB1 |
| 9 | DB2 |
| 10 | DB3 |
| 11 | DB4 |
| 12 | DB5 |
| 13 | DB6 |
| 14 | DB7 |
| 15 | CS# |
| 16 | RES# |
| 17 | BS1 |
| 18 | BS2 |
| 19 | NC |
| 20 | FG |
| 21 | NC |
| 22 | NC |
| 23 | NC |
| 24 | NC |
| 25 | NC |
| 26 | VSS |
| 27 | BSW |
| 28 | MSW |



The non-specified tolerance of dimension is ± 0.03 mm .