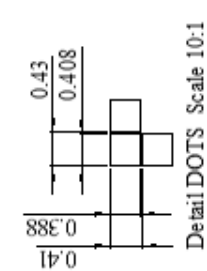
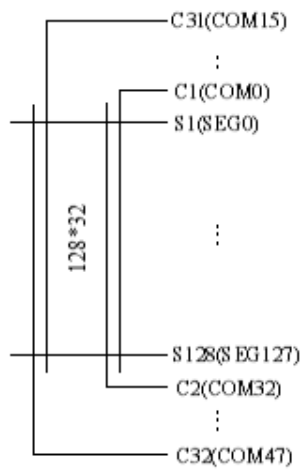
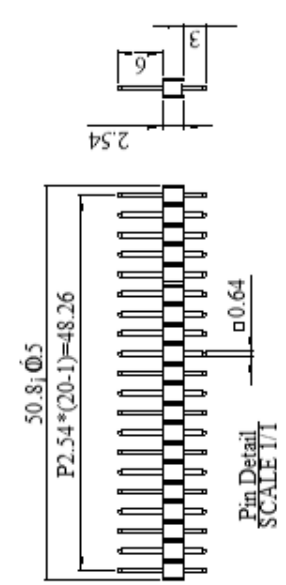
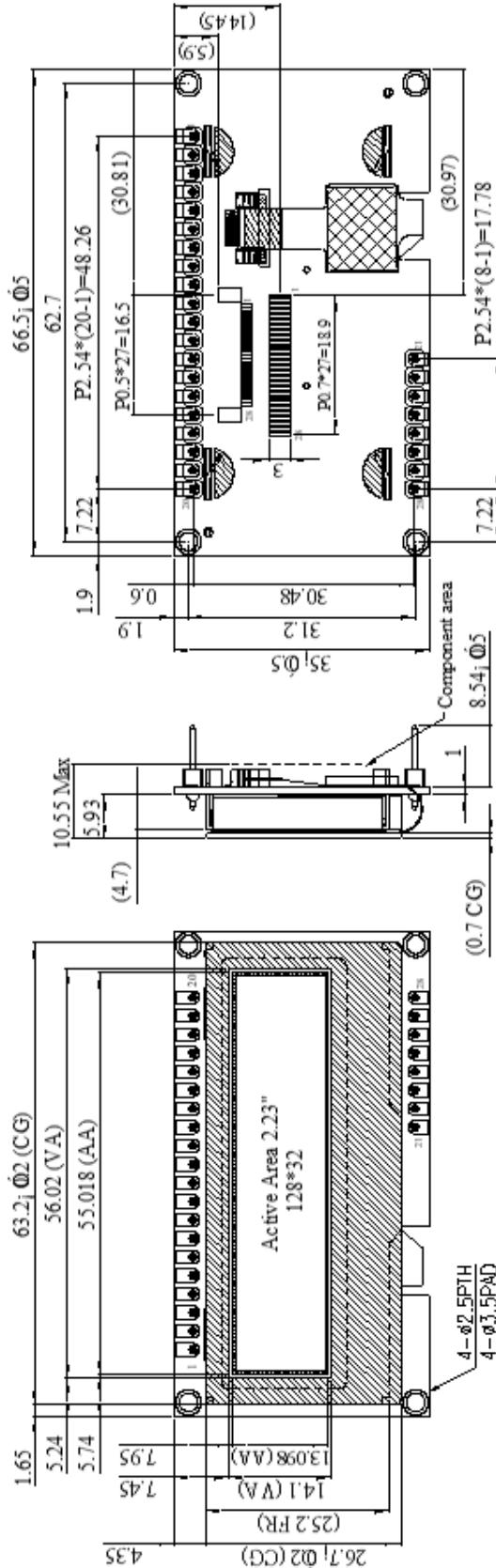


Outline Drawing

PIN	SYMBOL
1	VSS
2	VDD
3	V0
4	D/C#
5	R/W#
6	E/RD#
7	DB0
8	DB1
9	DB2
10	DB3
11	DB4
12	DB5
13	DB6
14	DB7
15	CS#
16	RES#
17	BS1
18	BS2
19	NC
20	FG
21	TP_SCK
22	TP_SDA
23	TP_INT
24	TP_RST
25	TP_VDD
26	VSS
27	NC
28	NC



The non-specified tolerance of dimension is ± 0.3 mm .