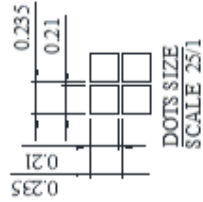
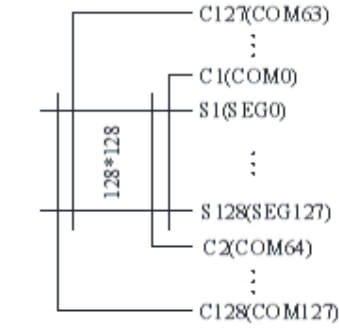
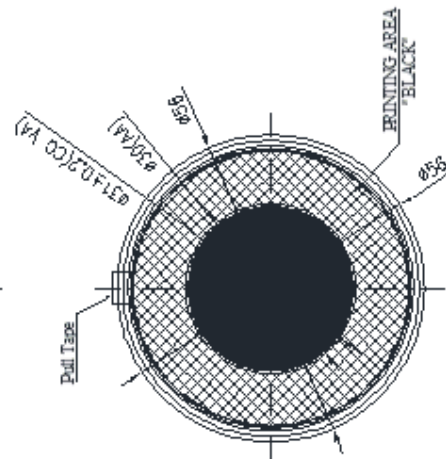
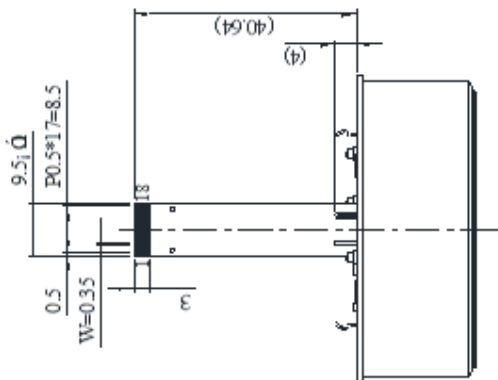
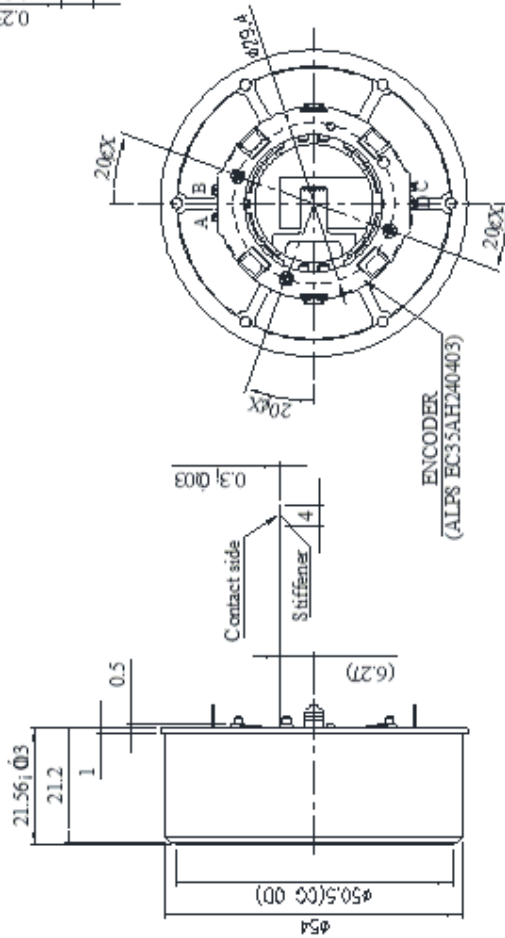


Outline Drawing

PIN	SYMBOL
1	VSS
2	VCC
3	VCOMH
4	VCI
5	VDD
6	BS1
7	IREF
8	CS#
9	RES#
10	D/C#
11	D0
12	D1
13	D2
14	TP_SCK
15	TP_SDA
16	TP_INT
17	VCC
18	VSS



ENCODER	PIN	SYMBOL
A	FSW_A	
B	FSW_B	
C	FSW_C	
D	FSW_D	



The non-specified tolerance of dimension is ±0.3 mm.