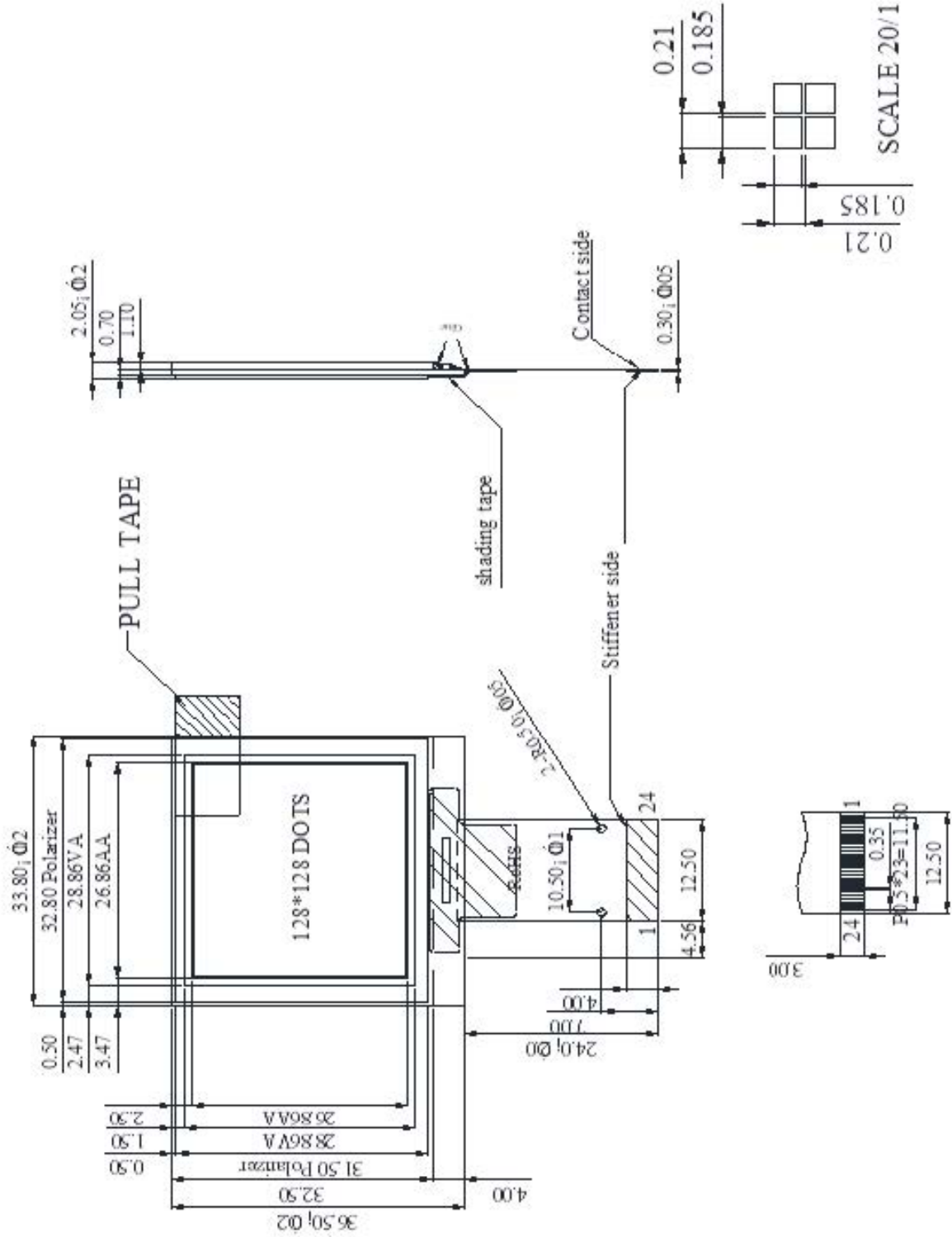


Outline Drawing

Pin No.	SYMBOL
1	VSS
2	VCC
3	VCOM/H
4	VCI
5	VDD
6	BS1
7	BS2
8	VSS
9	IREF
10	CS#
11	RES#
12	D/C
13	W/R#
14	RD#
15	D0
16	D1
17	D2
18	D3
19	D4
20	D5
21	D6
22	D7
23	VCC
24	VSS



The non-specified tolerance of dimension is ±0.3mm.