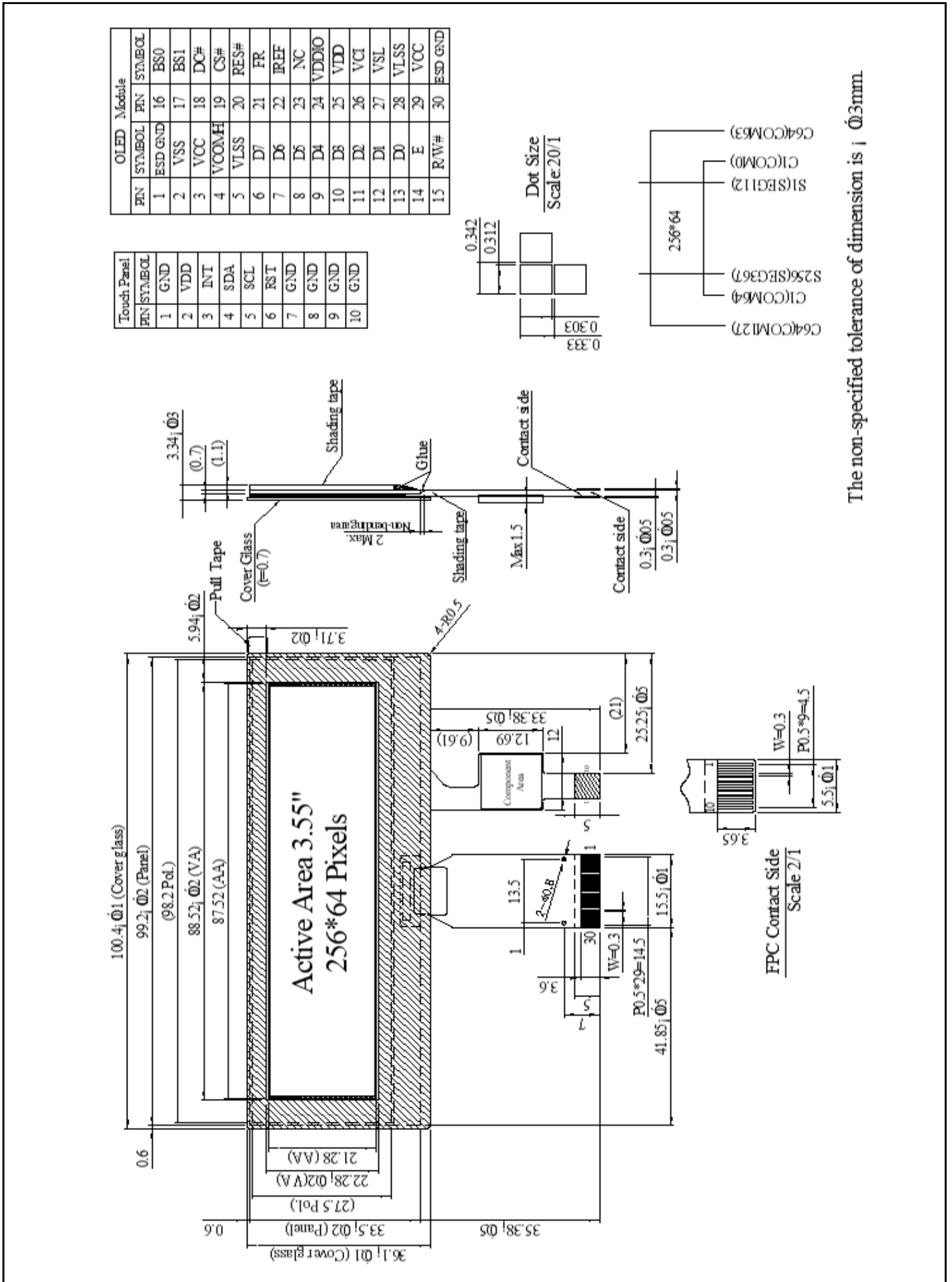
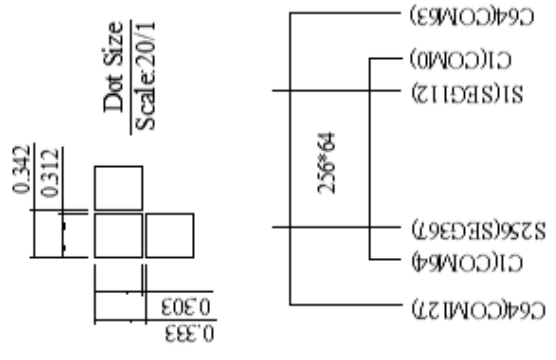


Outline Drawing



Touch Panel		OLED Module	
PIN	SYMBOL	PIN	SYMBOL
1	GND	1	ESD GND
2	VDD	2	VSS
3	INT	3	VCC
4	SDA	4	VCOMH
5	SCL	5	VLSS
6	RST	6	D7
7	GND	7	D6
8	GND	8	D5
9	GND	9	D4
10	GND	10	D3
11	GND	11	D2
12		12	D1
13		13	D0
14		14	E
15		15	R/W#
		16	BS0
		17	BS1
		18	DC#
		19	CS#
		20	RES#
		21	FR
		22	IREF
		23	NC
		24	VDDIO
		25	VDD
		26	VCI
		27	VSL
		28	VLSS
		29	VCC
		30	ESD GND

PIN	SYMBOL
1	GND
2	VDD
3	INT
4	SDA
5	SCL
6	RST
7	GND
8	GND
9	GND
10	GND



The non-specified tolerance of dimension is ±0.3mm.