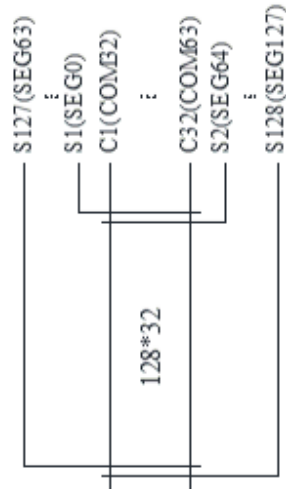
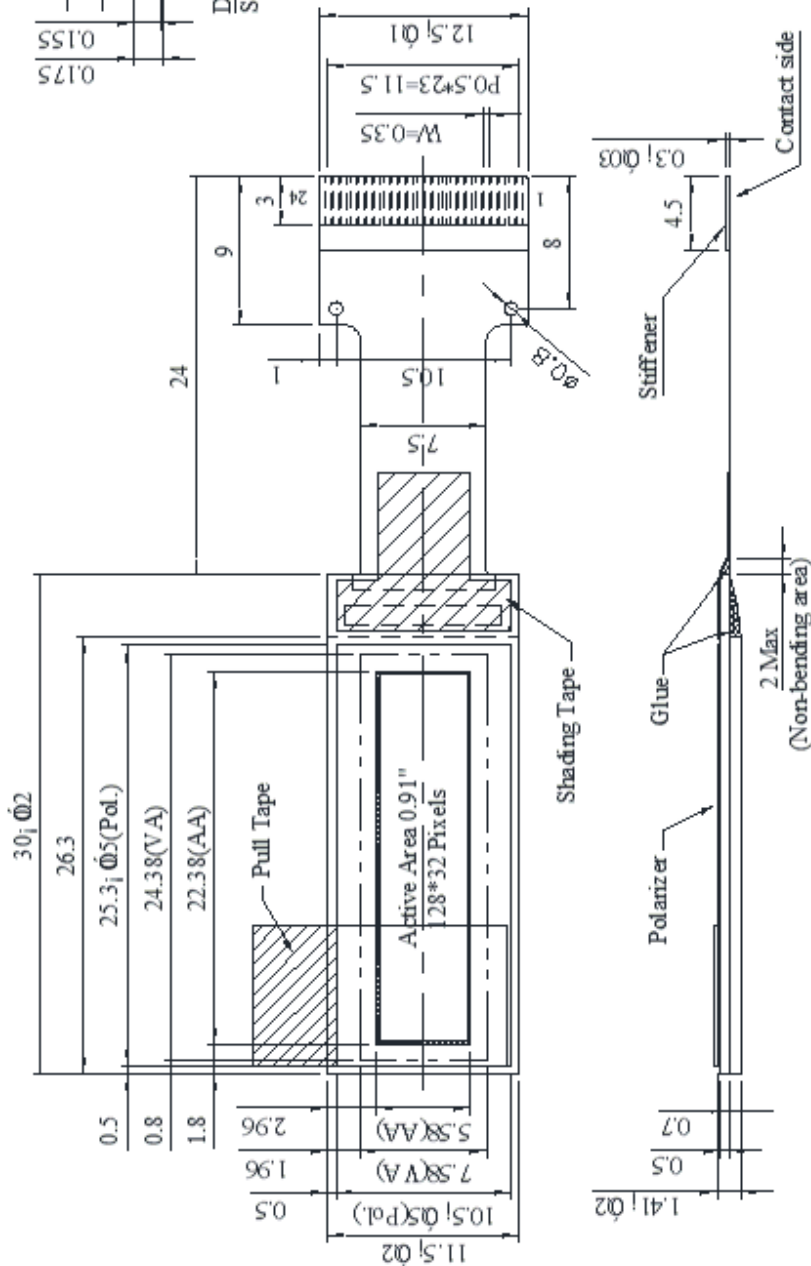
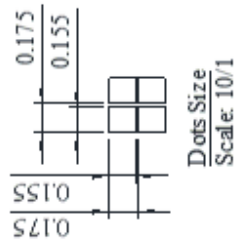


Outline Drawing

PTN	SYMBOL	PIN	SYMBOL	PIN	SYMBOL
1	VCI	13	DC		
2	VSS	14	E/RD#		
3	VCC	15	IRQ		
4	VSL	16	TD0		
5	DCDCEN0	17	TD1		
6	DCDCEN1	18	TD2		
7	VDD	19	VSS		
8	FR	20	D0		
9	DCS	21	D1		
10	TCS	22	BS1		
11	RES#	23	BS3		
12	TRES	24	VCOMH		



The non-specified tolerance of dimension is ± 0.3 mm .