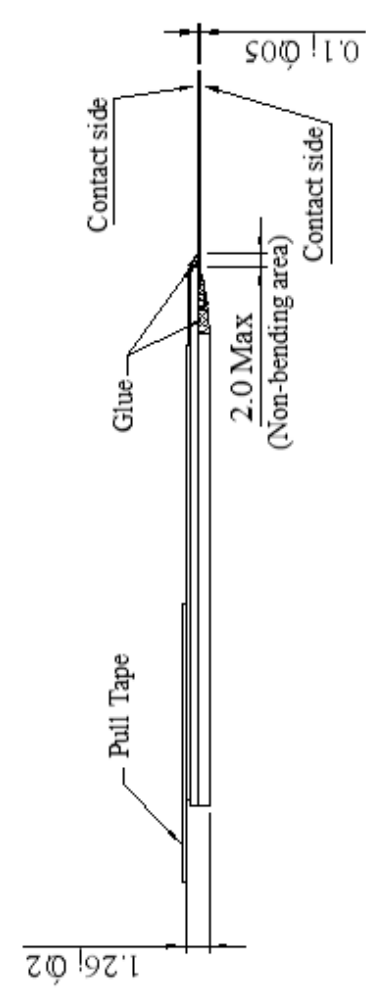
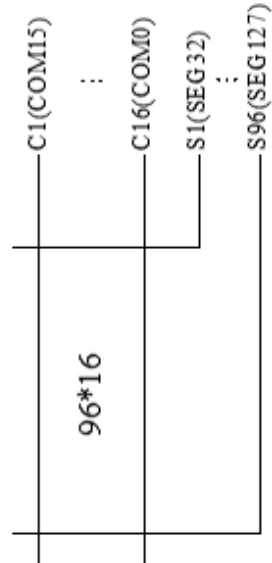
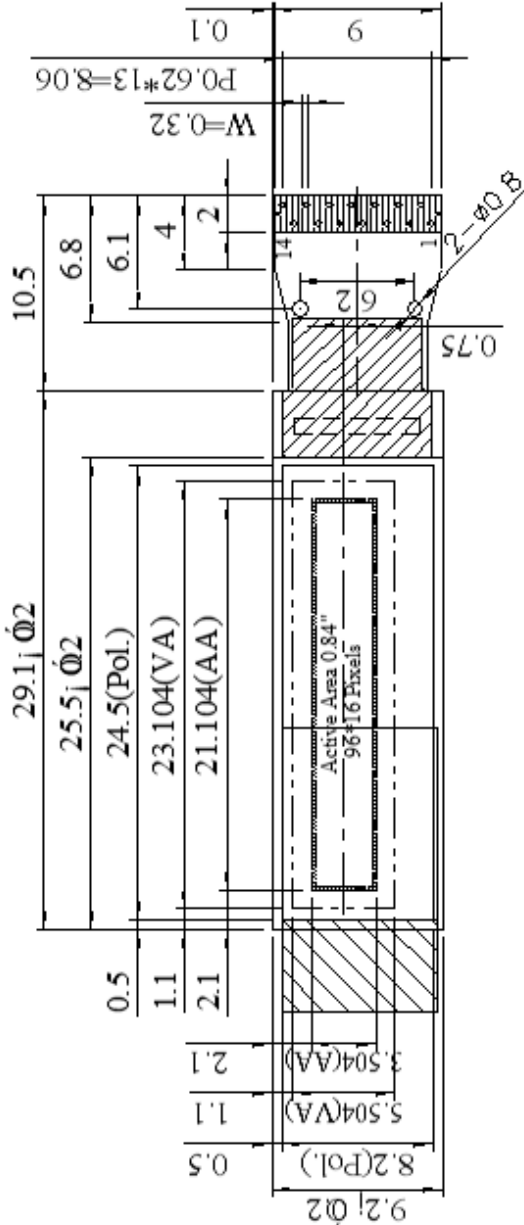
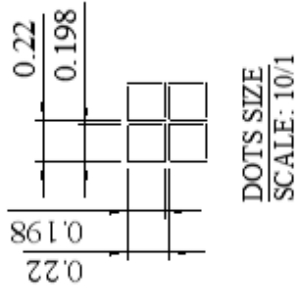


Outline Drawing

PIN	SYMBOL
1	C2N
2	C2P
3	C1P
4	C1N
5	VBAT
6	NC
7	VSS
8	VDD
9	RES#
10	SCL
11	SDA
12	IREF
13	VCOMH
14	VCC



The non-specified tolerance of dimension is ± 0.03 mm .