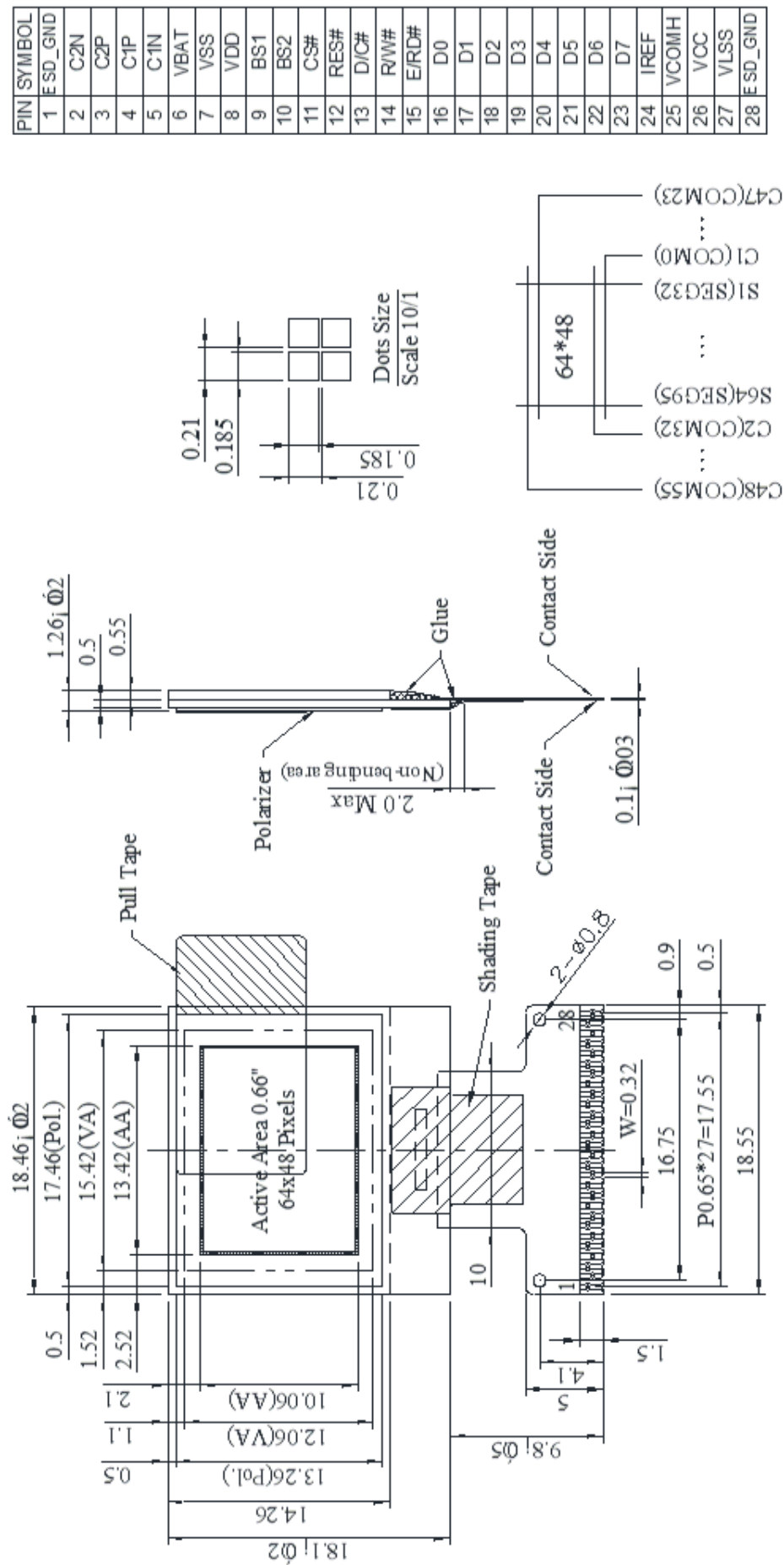


Outline Drawing



The non-specified tolerance of dimension is ± 0.03 mm .