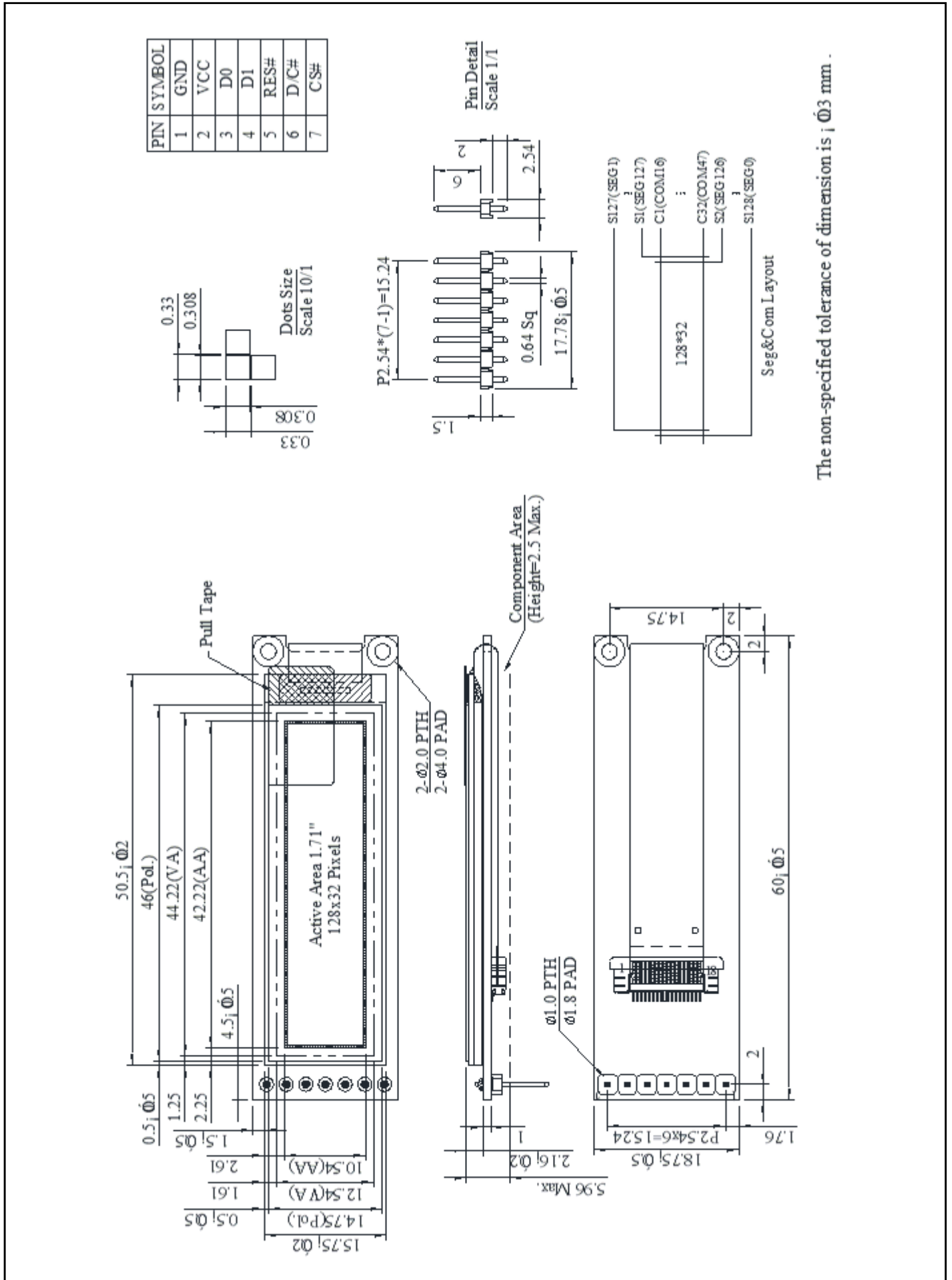


Outline Drawing



The non-specified tolerance of dimension is j \varnothing 3 mm .