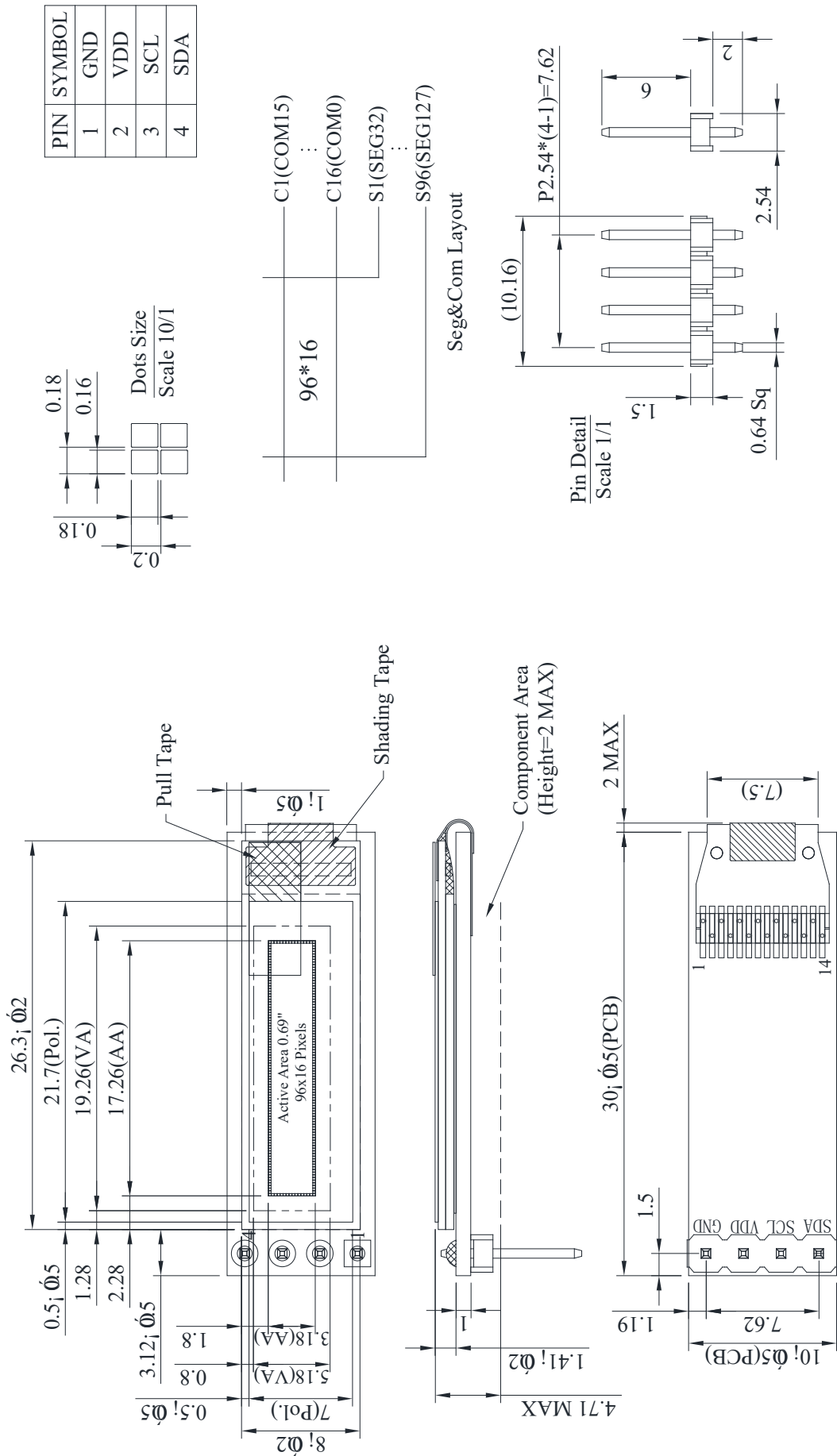


Outline Drawing



The non-specified tolerance of dimension is $\pm 0.3\text{mm}$.