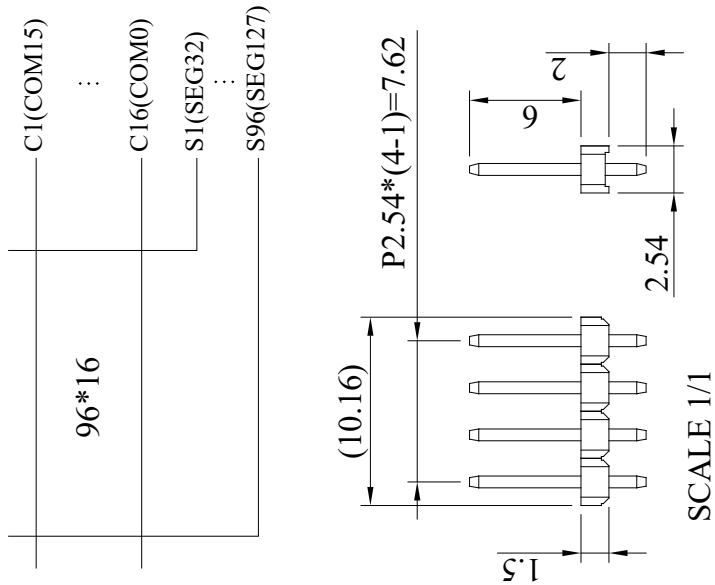
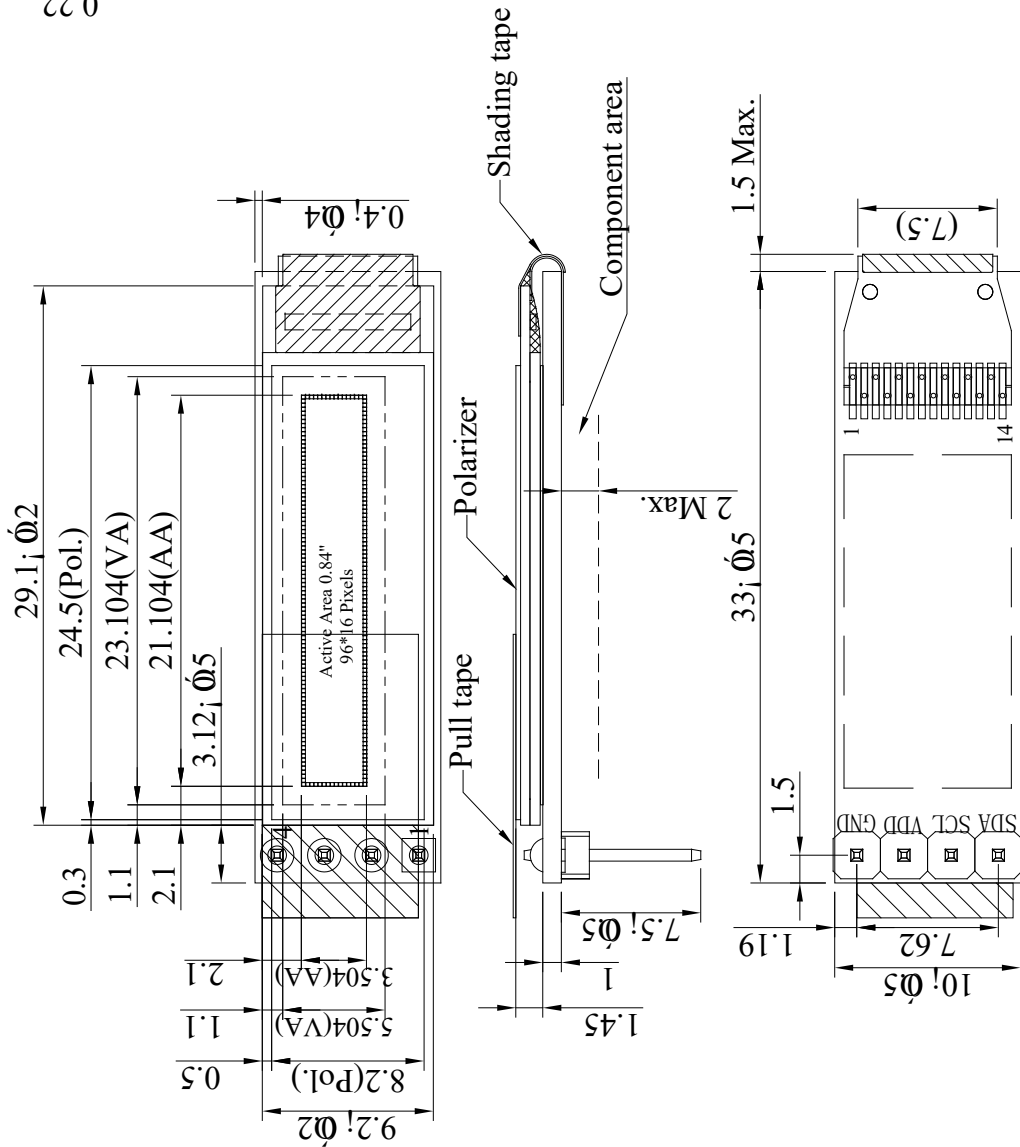
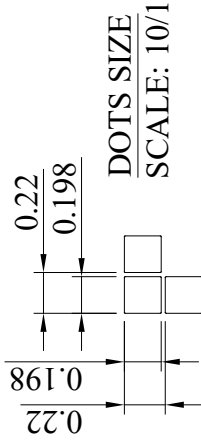


Outline Drawing

PIN	SYMBOL
1	GND
2	VDD
3	SCL
4	SDA



The non-specified tolerance of dimension is ±0.3mm.