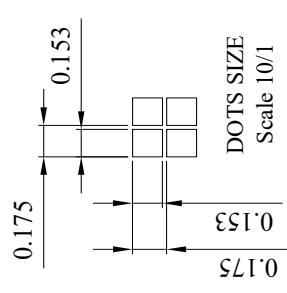
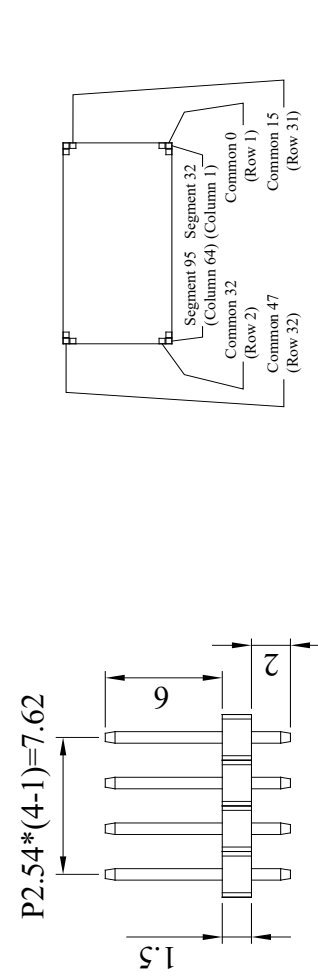
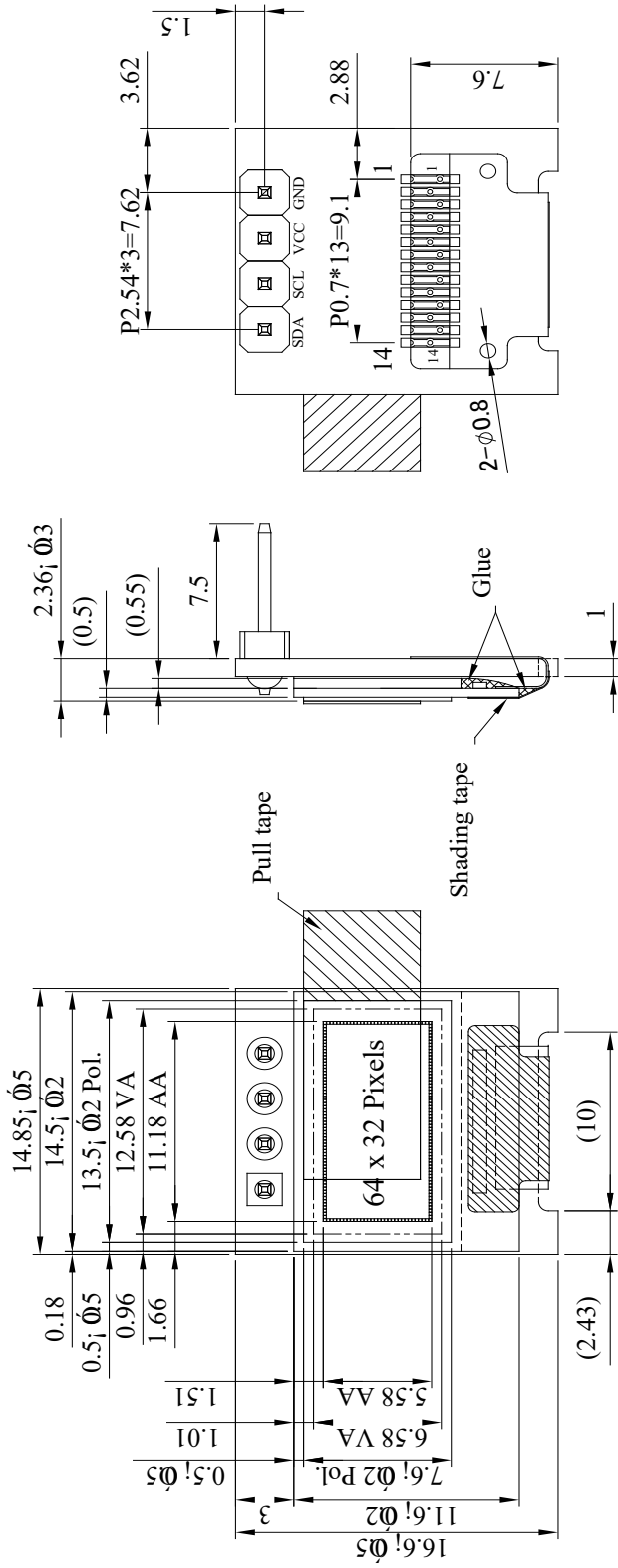


Outline Drawing

PIN	SYMBOL
1	GND
2	VCC
3	SCL
4	SDA



The non-specified tolerance of dimension is ± 0.03 mm .

SCALE 1/1