



General Description:

GMS150TL-N104HDIG-P is one of 10.4" 4:3 Open Frame LCD PCAP touch monitor that using the projected capacitive touch technology, it supports Win7, Win8, Android & Linux by multi-touch function, widely apply to various industrial, commercial and medical devices.

Main feature: Multi-capacitive touch technology, immediately function, excellent customer feedback.

Technical details

Product	10.4" High Brightness Open Frame PCAP Touch monitor	
LCD Specification	Display Ratio	4:3
	Backlight	LED
	MTBF	50000Hrs
	Active Area	211.2 mm x158.4mm
	Viewing Angle	70° /70° (Left / Right) , 60° /70° (Vertical / Horizontal)
	Support Color	16.7M colors
	Response Time	Typ. 30ms
	White Luminance	Typ. 800cd/m2
	Contrast Ratio	Typ. 800:1
	Electrical Interface	LVDS
	Display Resolution	800*600 / 60Hz (Best), 70Hz

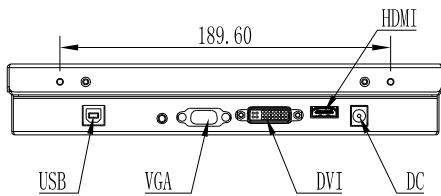
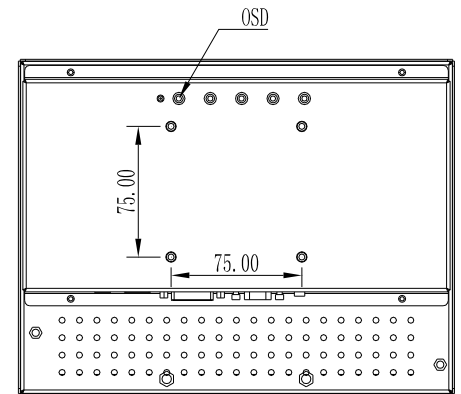
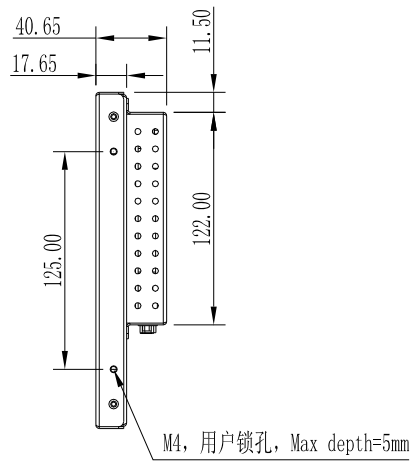
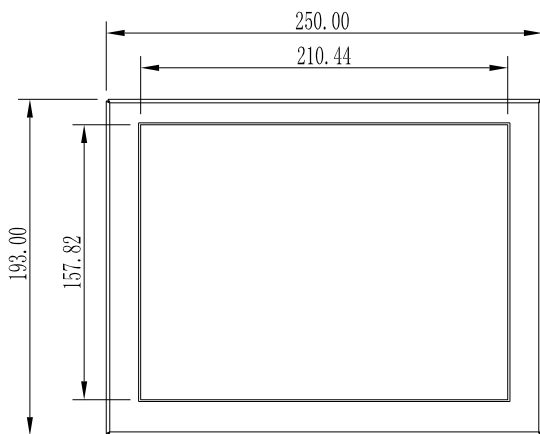
Touch Panel	Type	Projected Capacitive Multi-Point Touch Panel
	Size	10.4 Inch
	Active Area	210.44mm×157.82mm
	PCAP Thickness	3mm
	Hardness	7H
	Anti-vandal Treatment	Chemical strength
	Consumption	≤0.3W
	Interface Type	USB interface, Type B
	Touch Points	10 points
	Response Time	≤10ms
	Linearity	≤2%
	Minimum Touch Diameter	1.5mm
	Touch Strength	≤10g
	Touch Panel Life Time	≥200 million touches
Touch Operation	Finger or touch pen	
Compatible O/S	WinXP, Win7, Win8, Windows 10, Android, Linux	

Monitor Specification	Outline Dimension	250mm×193.mm×40.65mm
	Product Construction	Open Frame LCD monitor
	Product Color	Black and galvanized silver
	Environment Parameter	Operation : -20~70°C Storage : -30~80°C Operating Humidity : 20%~90%
	Interface	HDMI, VGA, DVI, USB-B (for touch)
	Installation	VESA 75 or bracket
	Heat Radiation	Natural Air Cooling
	Input Voltage	DC12V/4A
	Warranty	12 months
	Certification	CCC , CE , FCC , RoHS

Product photo



Technical drawing



Unit: mm, Tolerance±1mm.