

## GMS01-185T01-P071



### General Description:

**GMS01-185T01-P071** is one of 18.5" LCD Touch monitor that using the projected capacitive touch technology, it supports Win7, Win8, Android & Linux by multi-touch function, widely apply to various industrial, and medical devices, 100% compatible to ELO 1940L.

Main Feature: Multi-capacitive touch technology, outdoor use, immediately functions, excellent customer feedback.

### Technical details

Product	18.5" Widescreen LCD Touch monitor	
<b>18.5" LCD SPEC</b>	Display Ratio	16:9 (W:H)
	Backlight	LED
	MTBF	50K LED Life
	Active Area	409.8(W)×230.4(H) mm
	Viewing Angle	85°/85° (Left / Right), 80°/80° (Vertical / Horizontal)
	Support Color	16.7M colors (8-bit)
	Optical Response Time	Typ. 3.6ms
	White Luminance	Typ. 250cd/m <sup>2</sup> (after PCAP 230 cd/m <sup>2</sup> )
	Contrast Ratio	Typ.1000:1
	Electrical Interface	LVDS
	Display Resolution	1366*768 / 60Hz (Best), 70Hz

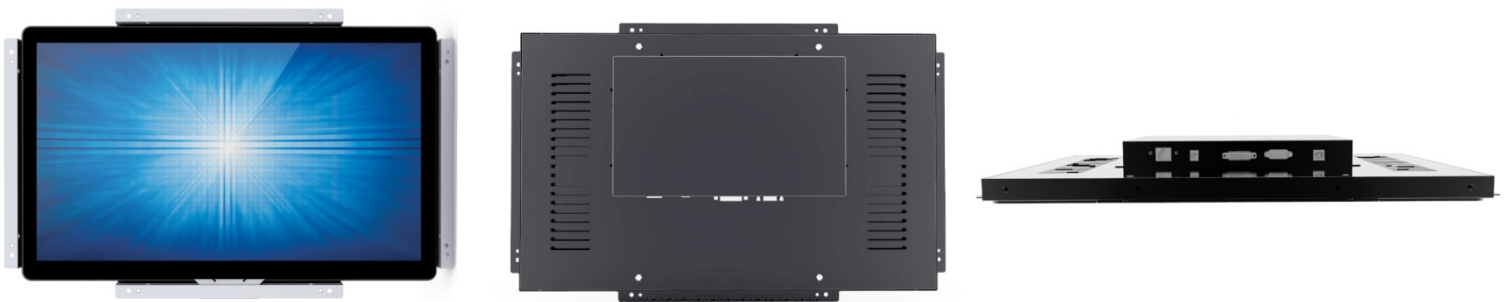
<b>PCAP Touch Panel</b>	Type	Projected Capacitive Multi-Point Touch Panel
	Size	18.5inch
	Active Area	410.8mm×231.4mm
	Total Thickness	3mm cover glass
	Hardness	7H
	Anti-vandal Treatment	Physical tempered glass
	Consumption	≤0.3W
	Interface Type	USB2.0
	Touch Points	10 point
	Response Time	≤10ms
	Linearity	≤2%
	Minimum Touch Diameter	1.5mm
	Touch Strength	≤10g
	Touch Panel Life Time	≥200 million Touches
	Touch Operation	Finger or touch pen
Compatible O/S	WinXP, Win7, Win8, Windows10, Android, Linux	

<b>Monitor Specification</b>	Outline Dimension	455.3mm×272.80mm×50.1mm (without mounting bracket)
	Product Construction	Open Frame monitor
	Product Color	Black with galvanized silver
	Environment Parameter	Operation: 0°C ~60°C Storage: -20°C ~70°C Operating Humidity: 20%~90%
	Interface	VGA, DVI, 12VDC (Φ2.1mm), USB (for touch)
	IK / IP Protection Level	IK07 / IP64
	Heat Radiation	Natural Air Cooling
	Transparency	>85%
	Input Voltage	12V/3A
	Warranty	12 months
	Certification	CCC, CE, FCC, RoHS
	Accessories	Without any accessories (VGA, USB cable, power supply removed)

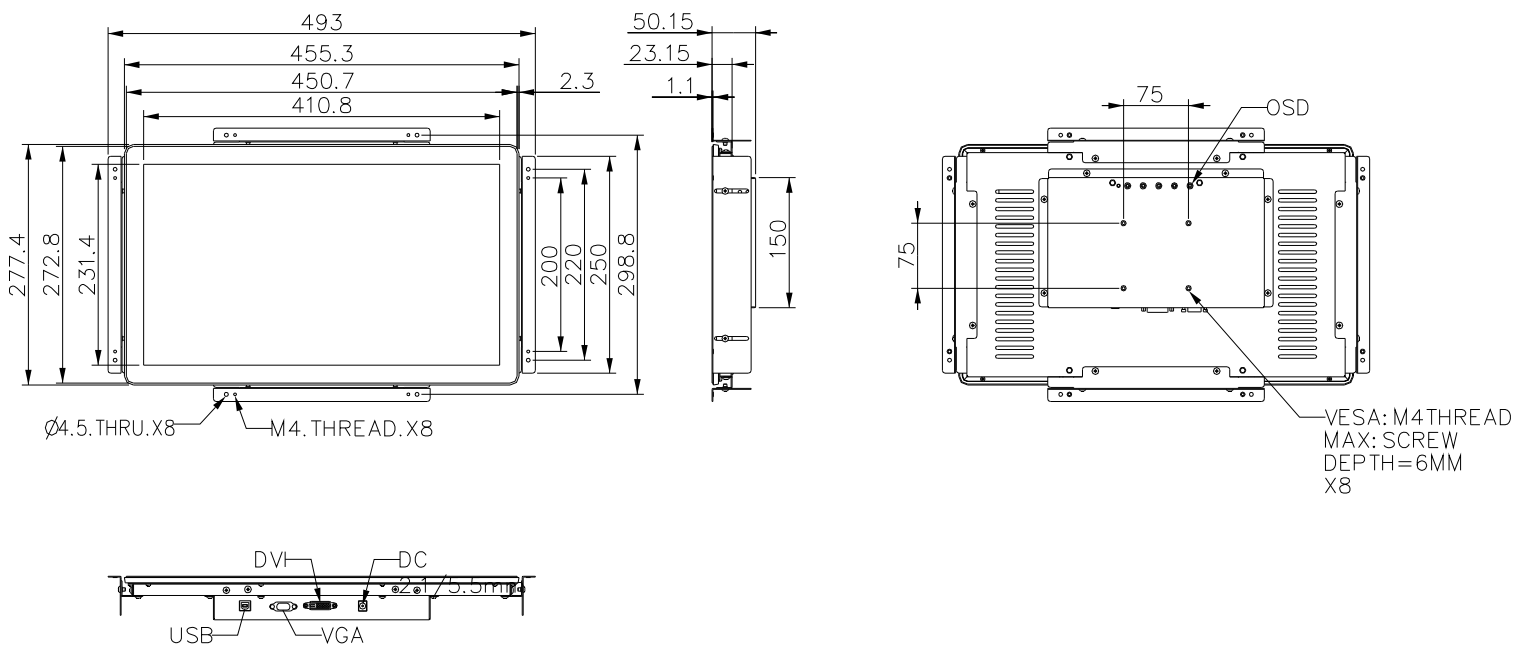
## Accessories

EU power cable	P/N: AC-03-1500-V3.0	*1 Pcs	1500mm length
USB Touch cable	P/N: USB-05-1800-V1.1	*1 Pcs	1800mm length
HDMI cable	P/N: HDMI-19-1800-V1.1	*1 Pcs	1800mm length
External Power Supply	P/N: ADP-48D2	*1 Pcs	12V/4A, $\Phi$ 2.1mm

## Product photo



## Technical drawing



## Packing details

### Notes:

1. Packing Box: Neutral packing without any Logo
2. Package : 2 Pcs 18.5" LCD monitor / per carton
3. Single Package: 610(L) mm x 170(W) mm x 440(H) mm
4. Max. Weight: 11.5Kg / per carton
5. Pallet Quantity: 72 Pcs 18.5" LCD monitor
6. Pallet Dimension: 1200 (L) mm x 1100(W) mm x 1480 (H) mm
7. Pallet Weight: 414.00Kg (Wooden pallet =15Kg)

