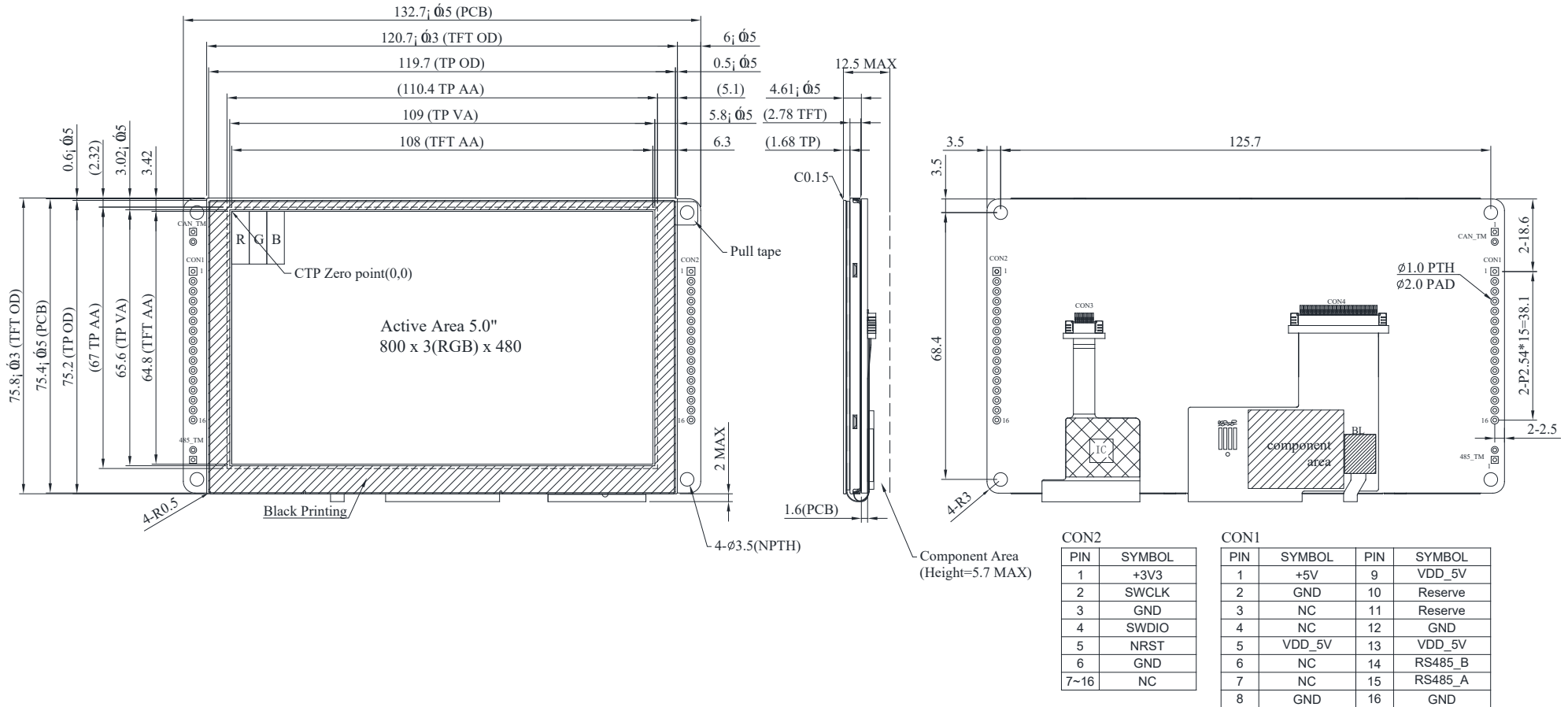


Outline Drawing



The non-specified tolerance of dimension is ; ±0.3 mm.