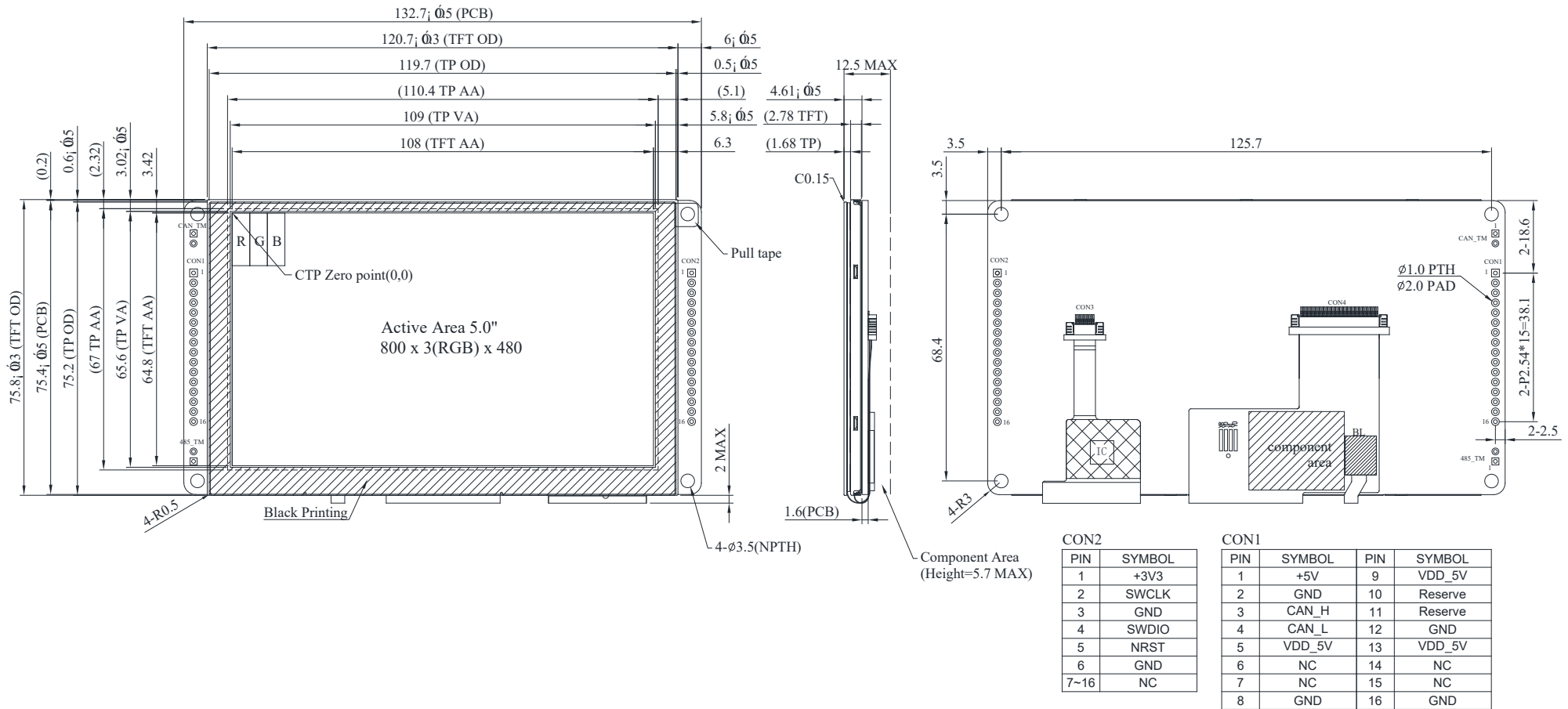


Outline Drawing



PIN	SYMBOL
1	+3V3
2	SWCLK
3	GND
4	SWDIO
5	NRST
6	GND
7~16	NC

PIN	SYMBOL	PIN	SYMBOL
1	+5V	9	VDD_5V
2	GND	10	Reserve
3	CAN_H	11	Reserve
4	CAN_L	12	GND
5	VDD_5V	13	VDD_5V
6	NC	14	NC
7	NC	15	NC
8	GND	16	GND

The non-specified tolerance of dimension is ± 0.3 mm.