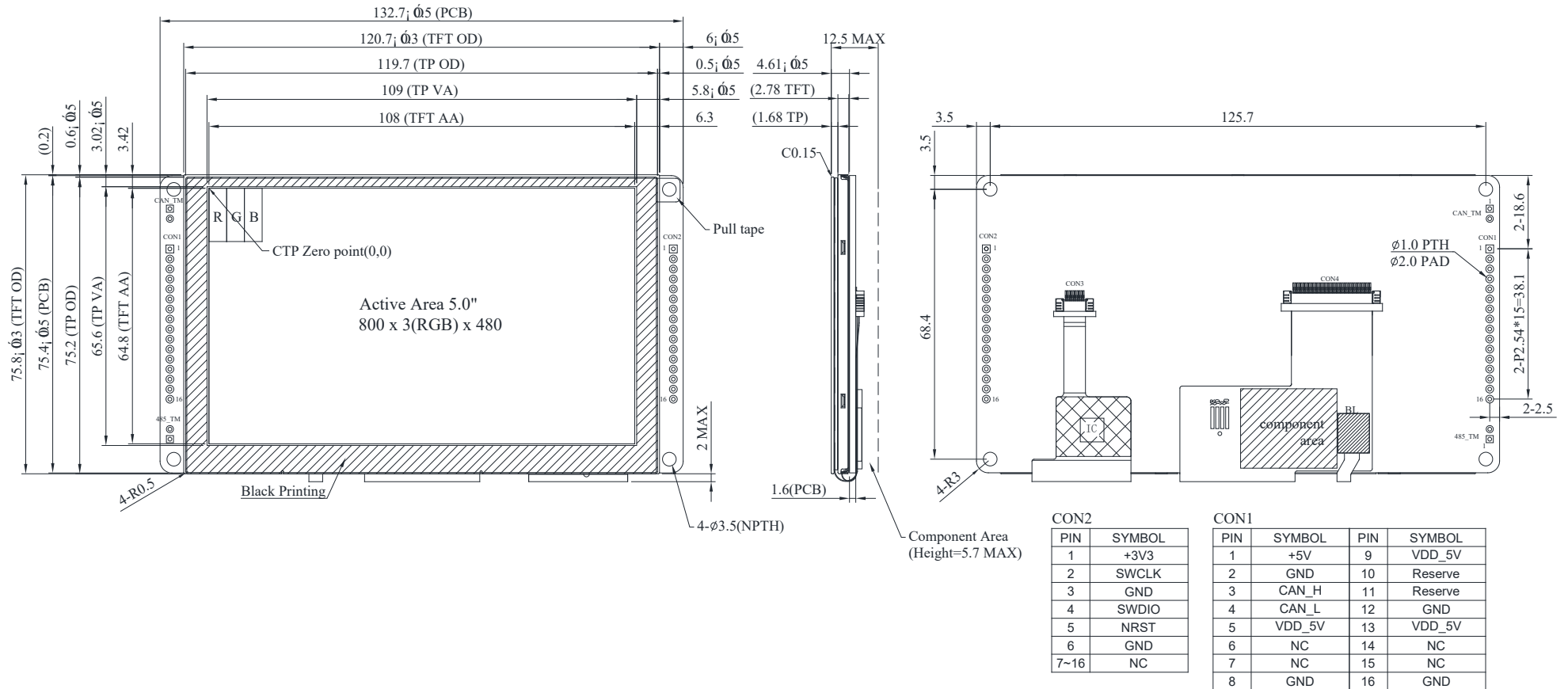


### Outline Drawing



The non-specified tolerance of dimension is  $\pm 0.3$  mm.