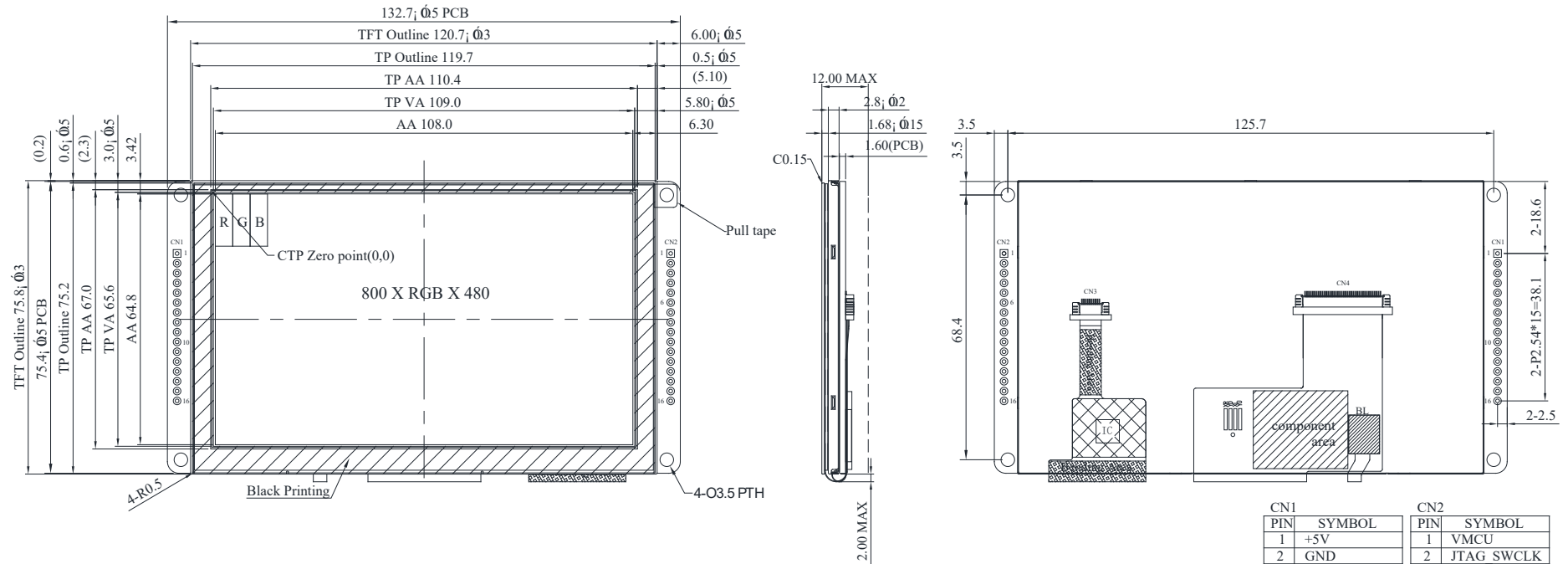


### Outline Drawing



1	Lcd Type	TFT
2	View Angle	80/80/80/80
3	Surface	Glare
4	Screen size	5.0"(diagonal)
5	Display format	800 x RGB x 480
6	Operating Temperature	-30°C ~80°C
7	Storage Temperature	-30°C ~80°C
8	Active area	108.0(H) x 64.8(V) mm
9	Pixel pitch	0.135(H) x 0.135(V) mm
10	Color arrangement	RGB-STRIPE
11	Brightness	300min. 400typ. cd/m2
12	CTP IC	IL12130 or equivalent
13	CTP Resolution	16384*16384

CN1		CN2	
PIN	SYMBOL	PIN	SYMBOL
1	+5V	1	VMCU
2	GND	2	JTAG SWCLK
3	CAN High	3	GND
4	CAN Low	4	JTAG SWDIO
5	VDD_5V	5	NRST
6	Reserve	6	GND
7	Reserve	7	
8	GND	8	
9	NC	9	
10	NC	10	
11		11	
12		12	
13		13	
14		14	
15		15	
16		16	

The non-specified tolerance of dimension is  $\pm 0.3$  mm .