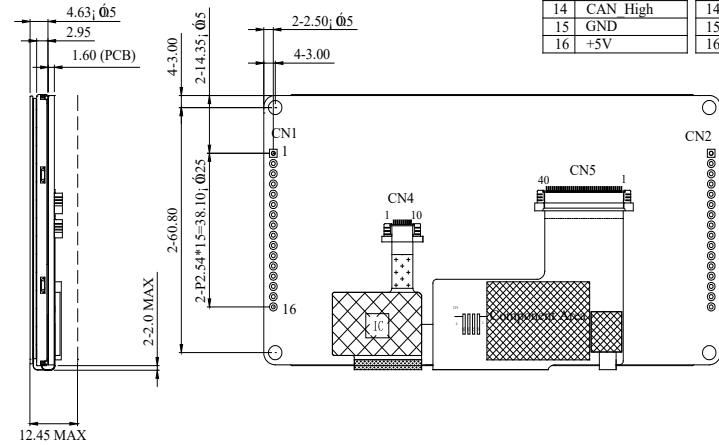
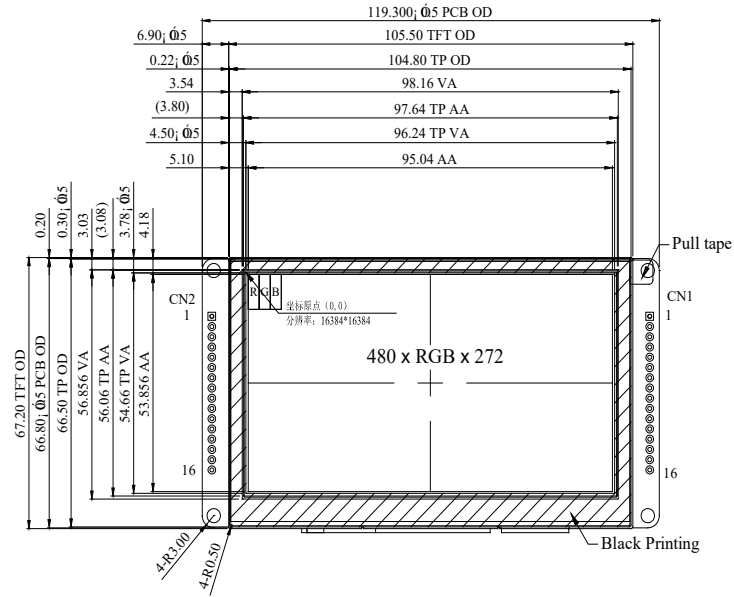


Outline Drawing



CN1		CN2	
PIN	SYMBOL	PIN	SYMBOL
1	GND	1	NC
2	NC	2	NC
3	NC	3	NC
4	VDD 5V	4	NC
5	GND	5	NC
6	NC	6	NC
7	NC	7	NC
8	VDD 5V	8	NC
9	NC	9	NC
10	NC	10	GND
11	GND	11	JTAG SWDO
12	GND	12	NRST
13	CAN Low	13	JTAG SWDI
14	CAN High	14	GND
15	GND	15	JTAG SWCLK
16	+5V	16	VDD3V

1	Lcd Type	TFT
2	Viewing Angle	80/80/80/80
3	Surface	Glare
4	Screen size	4.3"(diagonal)
5	Display format	480 x RGB x 272
6	Operating Temperature	-30°C ~80°C
7	Storage Temperature	-30°C ~80°C
8	Active area	95.04(H) x 53.856(V) mm
9	Pixel pitch	0.198(H) x 0.198(V) mm
10	Color arrangement	RGB-STRIFE
11	Brightness	300min. 400typ. cd/m2
12	CTP IC	ILI2130 or equivalent
13	CTP Resolution	16384*16384

The non-specified tolerance of dimension is ;  $\pm 0.3$  mm .