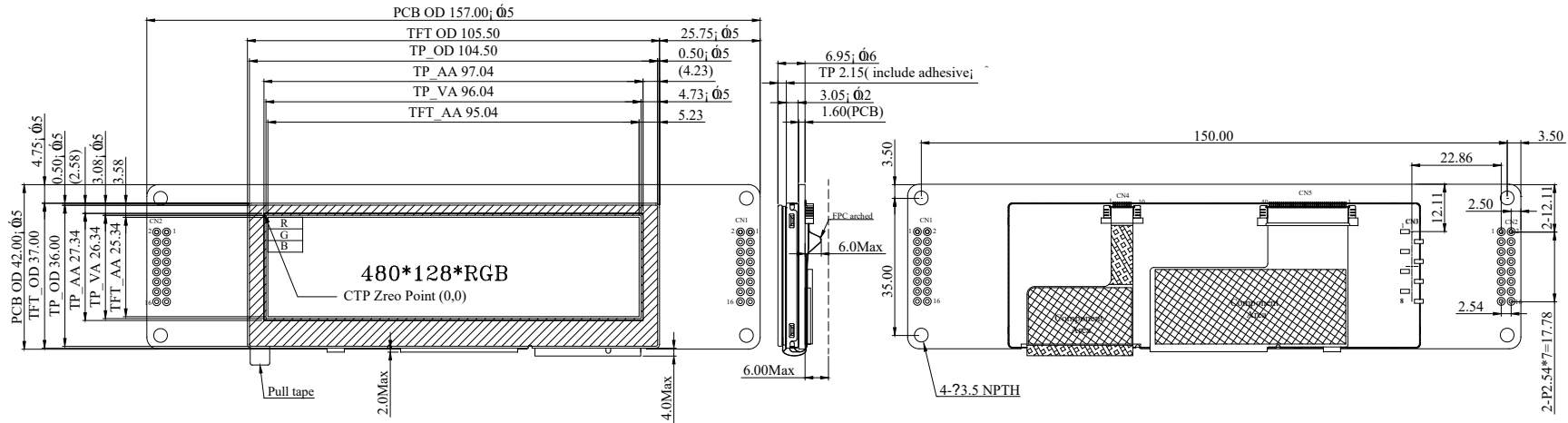


Outline Drawing



1	Lcd Type	TFT
2	View Direction	6 O'clock
3	Gray Scale Inversion Direction	12 O'clock
4	Screen size	3.9" (diagonal)
5	Surface	Glare
6	Display format	480x128xRGB
7	Operating Temperature	-10°C ~70°C
8	Storage Temperature	-30°C ~80°C
9	Active area	95.04(H)x25.34(V)mm
10	Dot pitch	0.198(H)x0.66(V)mm
11	Color arrangement	RGB-STRIPE
12	Brightness	300min. 400typ. cd/m2
13	CTP Driver IC	CYTM568 or equivalent
14	CTP Resolution	480*128

CN1		CN2		CN3	
PIN	SYMBOL	PIN	SYMBOL	PIN	SYMBOL
1	+5V	1	NC	1	NC
2	DGND	2	VDD3V	2	NC
3	GND	3	NC	3	NC
4	D-	4	TAG SWCLK	4	NC
5	CAN High	5	NC	5	NC
6	D+	6	GND	6	NC
7	CAN Low	7	NC	7	NC
8	+5V	8	TAG SWDI	8	NC
9	GND	9	NC		
10	NC	10	NRST		
11	GND	11	NC		
12	NC	12	TAG SWDO		
13	NC	13	DGND		
14	NC	14	DGND		
15	NC	15	+5V		
16	NC	16	NC		

The non-specified tolerance of dimension is ; ± 0.3 mm .