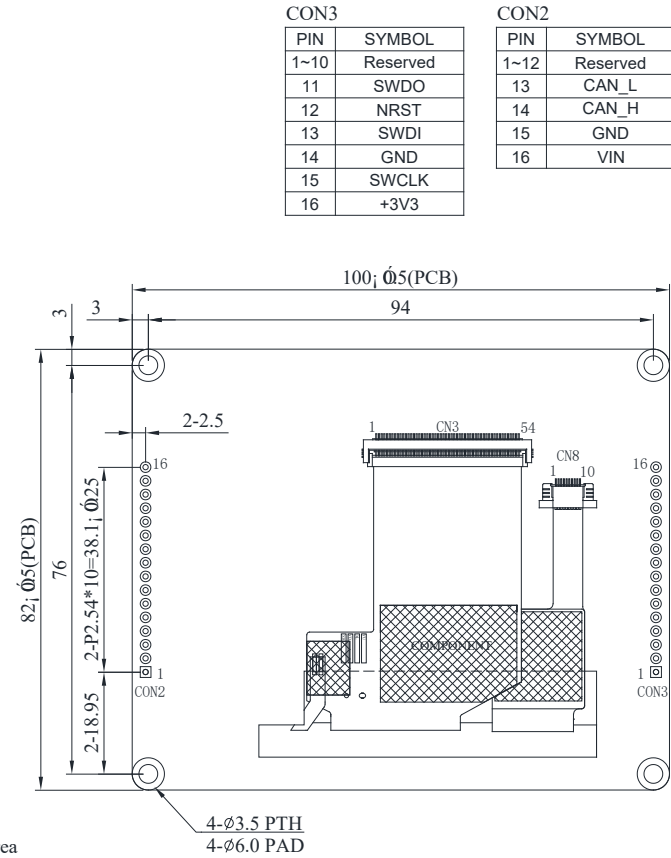
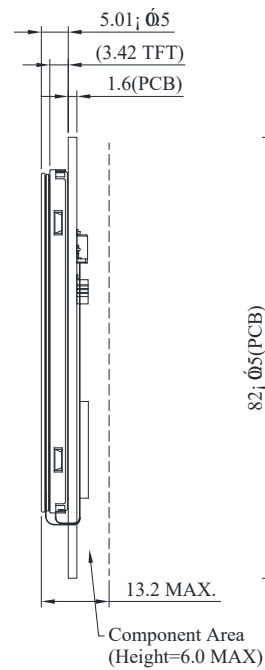
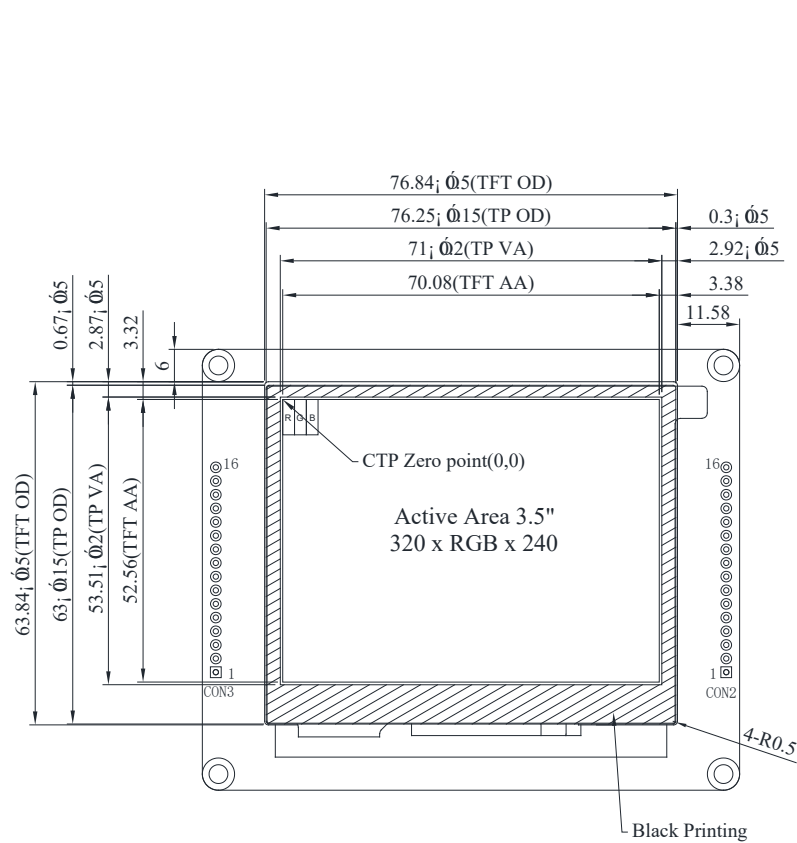


Outline Drawing



CON3	
PIN	SYMBOL
1~10	Reserved
11	SWDO
12	NRST
13	SWDI
14	GND
15	SWCLK
16	+3V3

CON2	
PIN	SYMBOL
1~12	Reserved
13	CAN_L
14	CAN_H
15	GND
16	VIN

The non-specified tolerance of dimension is $\pm 0.3\text{mm}$.