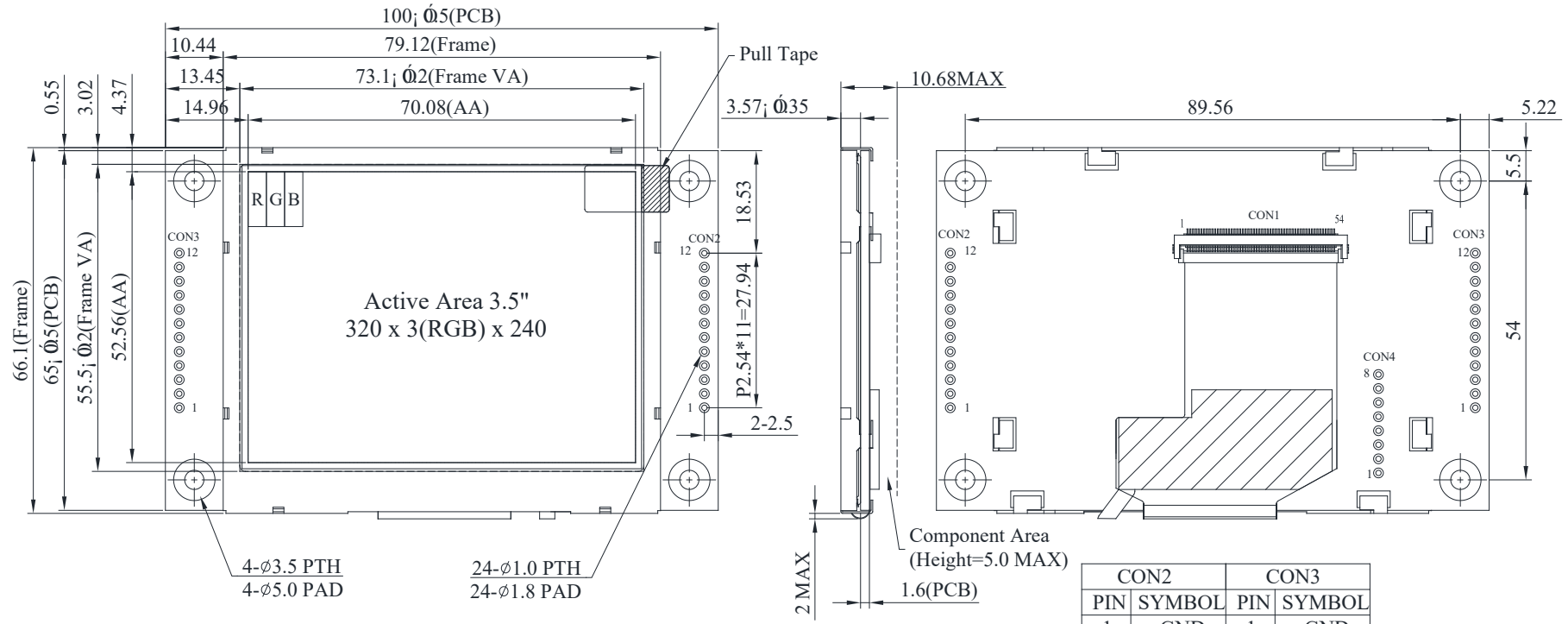


### Outline Drawing



CON2		CON3	
PIN	SYMBOL	PIN	SYMBOL
1	GND	1	GND
2	UART_TX	2	SW1
3	UART_RX	3	SW2
4	+5V	4	SW3
5	D+	5	SW4
6	D-	6	GND
7	GND	7	NC
8	/REST	8	NC
9	GND	9	NC
10	PWM	10	NC
11	GND	11	INT
12	+5V	12	+5V

The non-specified tolerance of dimension is  $\pm 0.3\text{mm}$ .