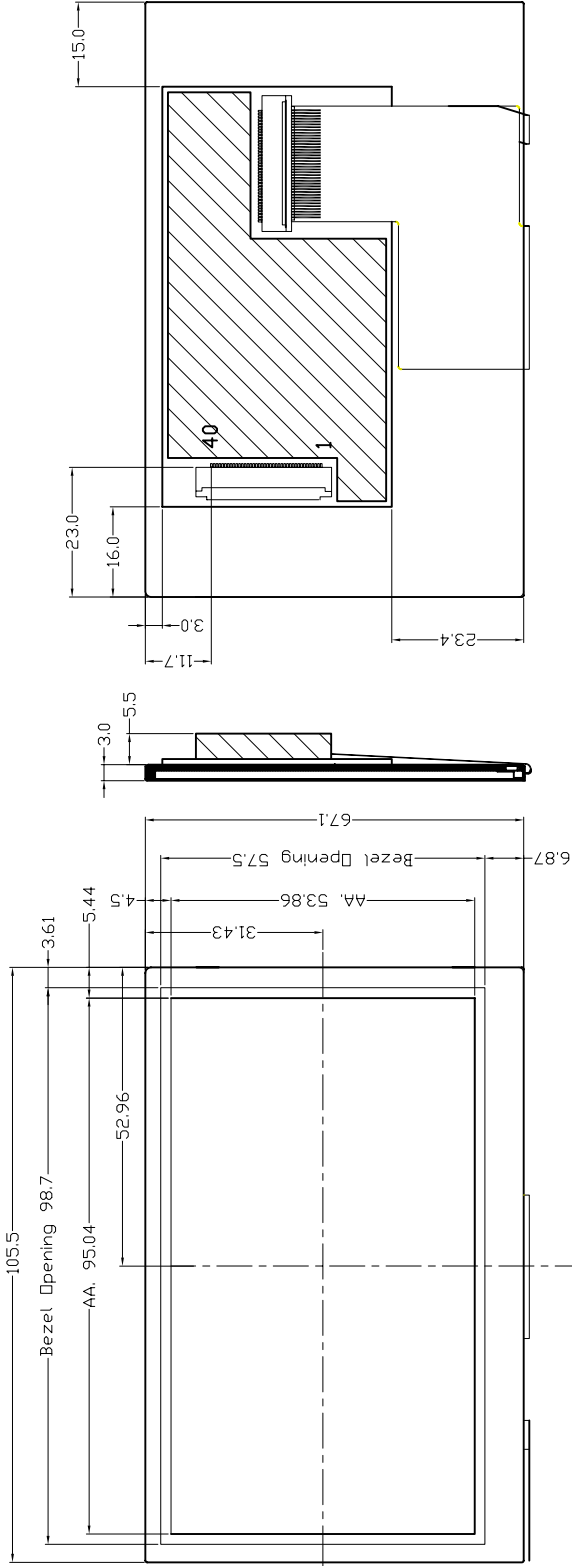
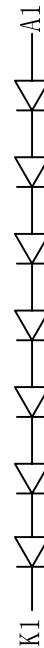


Outline Drawing

PIN	SYMBOL
1	GND
2	VDD
3	AVDD
4	RESET
5	CS
6	RS
7	WR
8	RD
9	DB0
10	DB1
11	DB2
12	DB3
13	DB4
14	DB5
15	DB6
16	DB7
17	DB8
18	DB9
19	DB10
20	DB11
21	DB12
22	DB13
23	DB14
24	DB15
25	NC
26	GND
27	NC
28	NC
29	NC
30	GND
31	AGND
32	AGND
33	AVDD
34	AVDD
35	LED A
36	LED K
37	NC
38	NC
39	NC
40	NC



LED CIRCUIT DIAGRAM:



- NOTES:
- 1.DISPLAY TYPE: a-si TFT
 - 2.DISPLAY MODULE Transmissive, Normally White
 - 3.OPERATING TEMP: -20°C ~ 70°C
 - 4.STORAGE TEMP: -30°C ~ 80°C
 - 5.BACKLIGHT: LED
 - 6.RoHS Compliance

DLC Display Co., Limited
www.dlcdisplay.com

DRAWN BY:	TITLE: DLC0430IZG-2	SCALE:	mm
CHECKED BY:		UNIT:	mm
APPROVED BY:	DWG NO:		
CONFIRMED BY:	DWG NAME:	SHEET NO:	OF