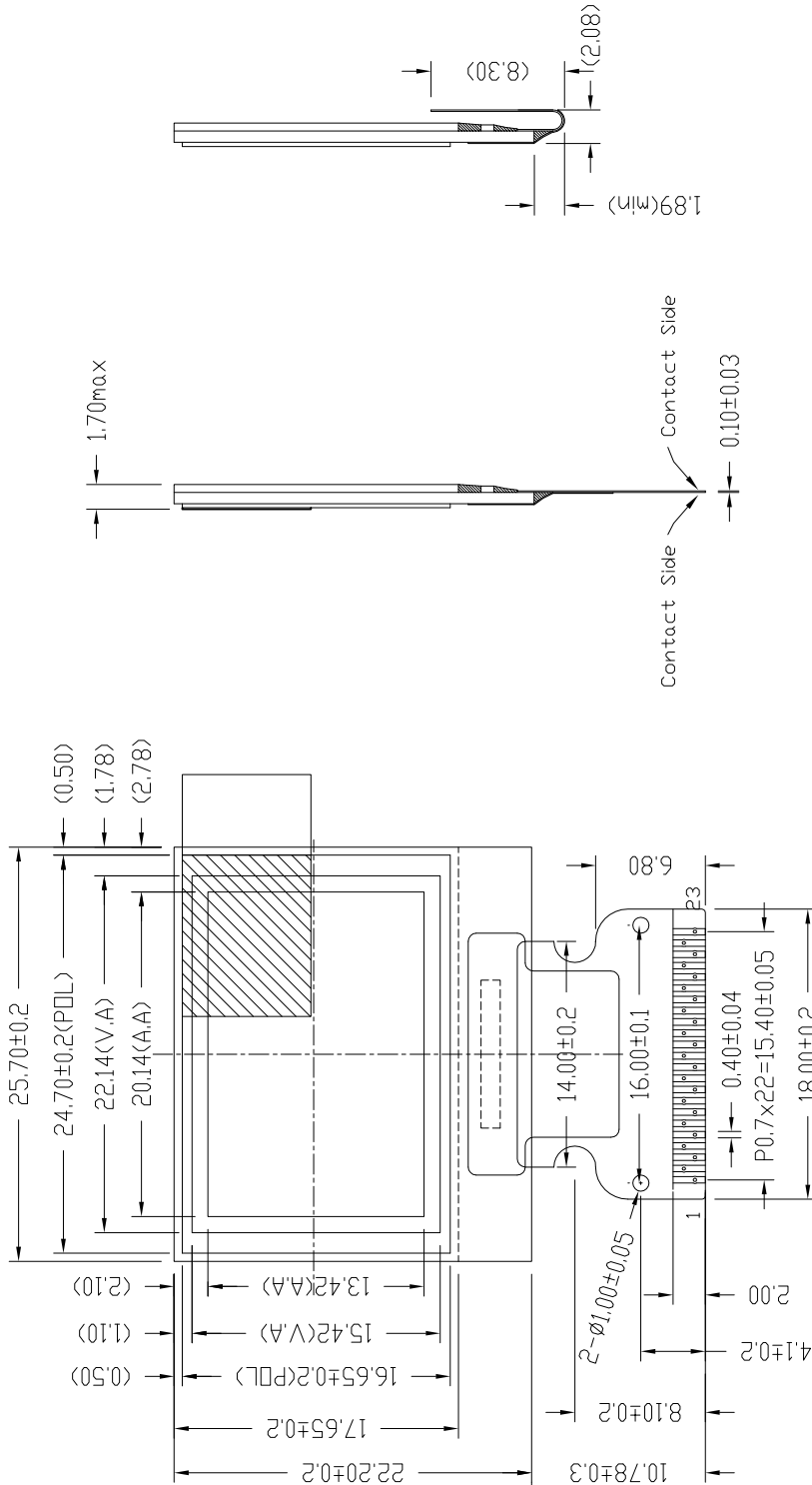


Outline Drawing

No:	PIN NAME
1	NC(GND)
2	VSS
3	VDD
4	VDDIO
5	BS1
6	BS2
7	IREF
8	CS
9	RES
10	D/C
11	R/W
12	E/RD
13	D0
14	D1
15	D2
16	D3
17	D4
18	D5
19	D6
20	D7
21	VCOMH
22	VCC
23	NC(GND)




NOTES:

- 1.DISPLAY Color :65,536 Colors
- 2.DRIVE IC: SSD1331Z
- 3.Interface :8bit 68XX/80XX Parallel,4-SPI
- 4.General Tolerance : ±0.3MM
- 5.RoHS compliance

DLC Display Co.,Limited

www.dlcdisplay.com

DRAWN BY:	TITLE: DLC0095DNOG-2	
CHECKED BY:		SCALE:
APPROVED BY:	DWG NO:	UNIT: mm
CONFIRMED BY:	DWG NAME:	SHEET NO: OF