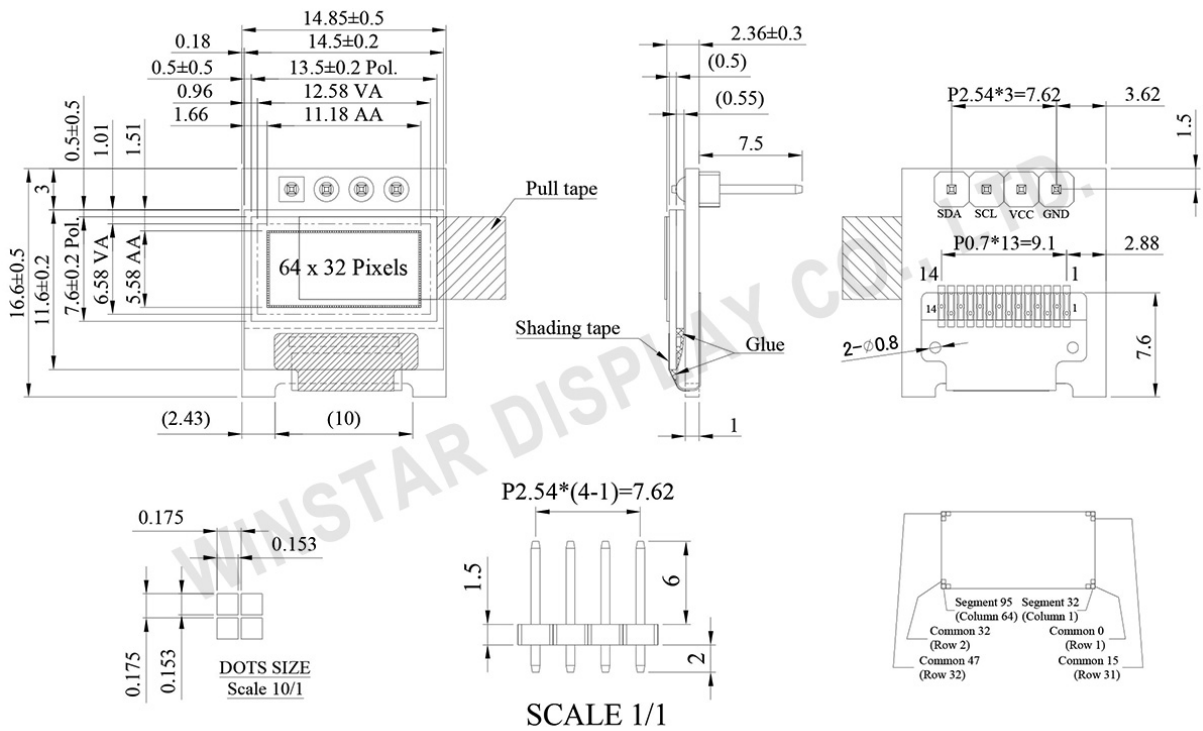


DRAWING



SPECIFICATIONS

Interface Pin Function

| No. | Symbol | Function |
|-----|--------|---|
| 1 | GND | Ground |
| 2 | VCC | Power supply input. |
| 3 | SCL | When the I2C interface is selected, then D0 serves as the serial clock input pad (SCL) and D1 serves as the serial data input pad (SDAI). |
| 4 | SDA | |

Mechanical Data

| Item | Dimension | Unit |
|------------------|---------------------|------|
| Dot Matrix | 64 x 32 | Dots |
| Module dimension | 14.85 × 16.6 × 2.36 | mm |
| Active Area | 11.18 × 5.58 | mm |
| Pixel Size | 0.153 × 0.153 | mm |
| Pixel Pitch | 0.175 × 0.175 | mm |
| Display Mode | Passive Matrix | |
| Display Color | Monochrome | |
| Drive Duty | 1/32 Duty | |
| IC | SSD1306 | |
| Interface | I2C | |
| Size | 0.49 inch | |

Electronical Characteristics

| Item | Symbol | Condition | Min | Typ | Max | Unit |
|-----------------------------------|--------|-----------|---------|------|---------|------|
| Supply Voltage for Logic | VCC | — | 2.8 | 3.0 | 3.2 | V |
| Input High Volt. | VIH | — | 0.8×VDD | — | VDDIO | V |
| Input Low Volt. | VIL | — | 0 | — | 0.2×VDD | V |
| Output High Volt. | VOH | — | 0.9×VDD | — | VDDIO | V |
| Output Low Volt. | VOL | — | 0 | — | 0.1×VDD | V |
| 50% check Board operating Current | ICC | VCC1=7.5V | — | 13.0 | 26.0 | mA |

Absolute Maximum Ratings

| Parameter | Symbol | Min | Max | Unit |
|----------------------------|--------|-----|------|------|
| Supply Voltage for Logic | VCC | 0 | 4.0 | V |
| Supply Voltage for Display | VCC1 | 0 | 16.0 | V |
| Operating Temperature | TOP | -40 | +80 | °C |
| Storage Temperature | TSTG | -40 | +85 | °C |